

G



JAY R. SMITH MFG. CO.
 DIVISION OF SMITH INDUSTRIES, INC.
 POST OFFICE BOX 3237
 MONTGOMERY, ALABAMA 36109-0237 (USA)
 TEL: 334-277-8520 FAX: 334-272-7396 www.jrsmith.com



MEMBER OF:



LOCATION

SANI-CEPTOR® CAN WASHING FLOOR DRAINS

FUNCTION: Used in areas where it is desired to wash the interior of garbage and other cans, and prevent the solids from entering the waste line. The exclusive Smith design combines an engineered floor drain with a "single orifice" can washing nozzle. The spray from the nozzle is adjustable from a solid stream to a driving fine mist, providing a means for thoroughly scouring the interior of the can. The ported sediment bucket catches all solids, and provides ample drainage.

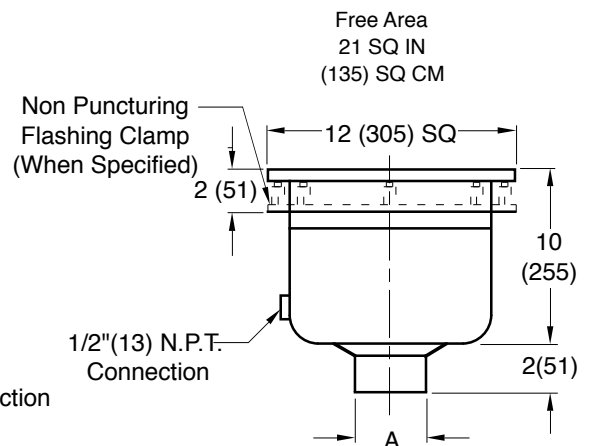
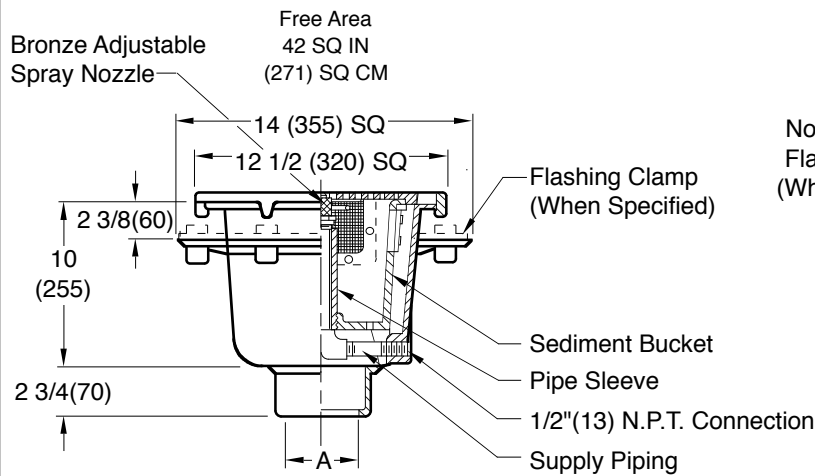


Fig. 3370C . . . CAULK OUTLET
 Fig. 3370Y . . . NO HUB OUTLET

Fig. 3371Y . . . NO HUB OUTLET

A (PIPE SIZE) = 02(50), 03(75), or 04(100)

NOTE: Dimensions shown in parentheses are in millimeters.

REGULARLY FURNISHED CAST IRON:

Cast Iron Body with A.R.C. Interior, Nickel Bronze Rim and Grate, Free Standing Aluminum Bucket with Ported Openings Lined with 1/4"(6) Stainless Steel Mesh and Bronze Adjustable Nozzle Assembly.

REGULARLY FURNISHED STAINLESS STEEL:

14 Gage Stainless Steel Body with No. 4 finish Interior, Stainless Grate, Free Standing Aluminum Bucket with Ported Openings Lined with 1/4"(6) Stainless Steel Mesh and Bronze Adjustable Nozzle Assembly.

OPTIONAL MATERIALS:

Polished Bronze Rim and Grate -PB (3370 Series Only)

VARIATIONS:

Flashing Clamp -C
 L Speedi-Set Service Weight (3370 Series only)
 LXH Speedi-Set Extra Heavy (3370 Series only)

3370, 3371

FIGURE NUMBER

WE CAN ASSUME NO RESPONSIBILITY FOR USE OF SUPERSEDED OR VOID DATA

DIMENSIONS ARE SUBJECT TO MANUFACTURERS TOLERANCE AND CHANGE WITHOUT NOTICE

REV.	DATE	DESCRIPTION	BY	CKD. BY	WEIGHT POUNDS	VOLUME CUBIC FEET	FIGURE NUMBER
G	6-23-99	Revised 03 (80) to 03 (75)	CMD	JCS			3370, 3371
F	8-23-96	Added Millimeters	EMB	BS			
E	7-14-94	Revised	EMB	BS			
D	12-14-93	Submitted Update	EMB	BS			

C

SMITH® JAY R. SMITH MFG. CO.
 DIVISION OF SMITH INDUSTRIES, INC.
 POST OFFICE BOX 3237
 MONTGOMERY, ALABAMA 36109-0237 (USA)
 TEL: 334-277-8520 FAX: 334-272-7396 www.jrsmith.com



MEMBER OF:

LOCATION

SANI-CEPTOR® CAN WASHING FLOOR DRAINS

FUNCTION: Used in areas where it is desired to wash the interior of garbage and other cans, yet prevent the solids from entering the waste line. The exclusive Smith design combines an engineered floor drain with a "single orifice" can washing nozzle. The spray from the nozzle is adjustable from a solid stream to a driving fine mist, providing a means for thoroughly scouring the interior of the can. The ported sediment bucket catches all solids, yet provides ample drainage.

DRAWING NUMBER
S3370BS

SIZE
A

SCALE:
NONE

DATE:
9-19-85

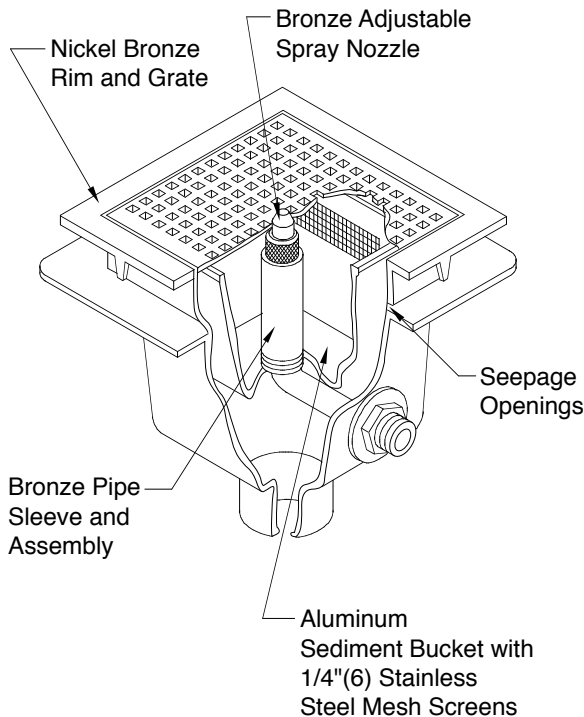
APPROVED BY:
SJM

CHECKED BY:
JD

DRAWN BY:
PJ

WE CAN ASSUME NO RESPONSIBILITY FOR USE OF SUPERSEDED OR VOID DATA

DIMENSIONS ARE SUBJECT TO MANUFACTURERS TOLERANCE AND CHANGE WITHOUT NOTICE



TYPICAL INSTALLATION

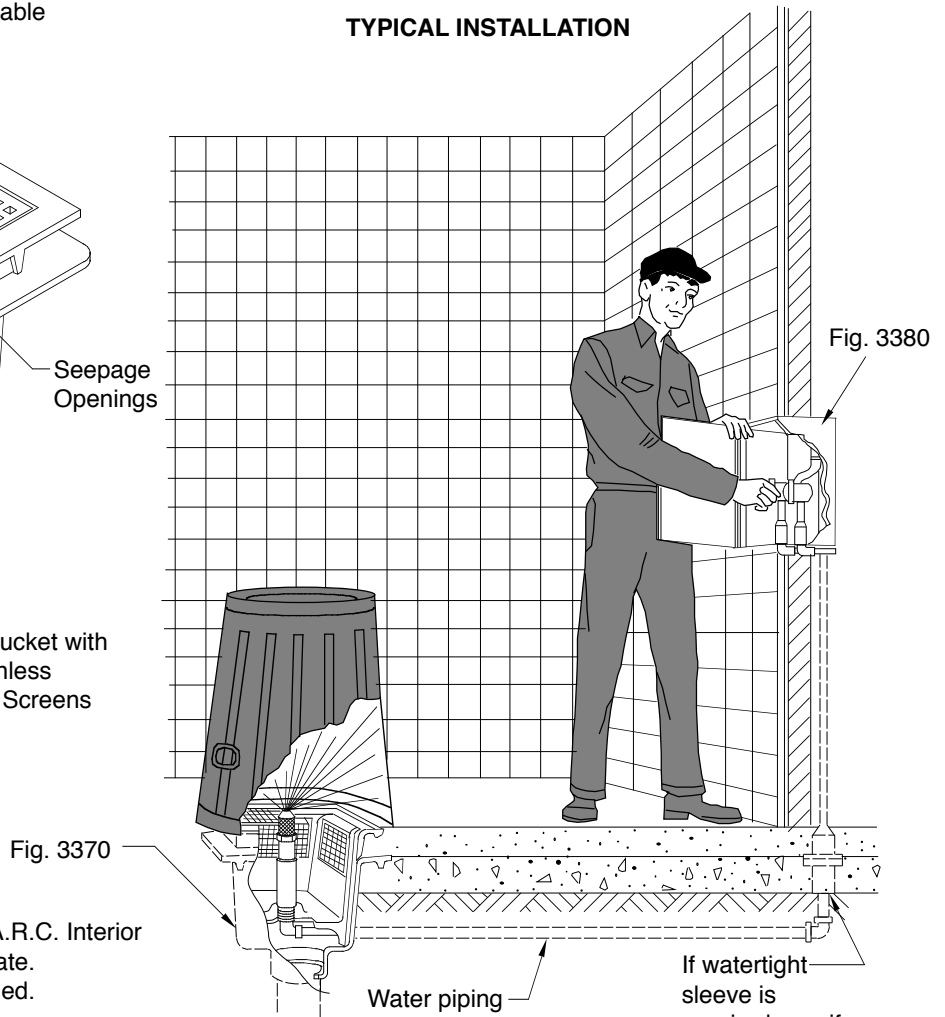


Fig. 3370 Cast Iron Body with A.R.C. Interior with Nickel Bronze Rim and Grate. Caulk Outlet Regularly Furnished.

Fig. 3371, 14 Gauge Stainless Steel Body with No. 4 Finish Interior with Stainless Steel Grate. NO-HUB Outlet Regularly Furnished.

NOTE: Dimensions shown in parentheses are in millimeters.

3370, 3371 BS

REV.	DATE	DESCRIPTION	BY	CKD. BY	WEIGHT POUNDS	VOLUME CUBIC FEET	FIGURE NUMBER
C	6-17-99	Revised Added Millimeters Submittal Update	CMD	BS			3370, 3371 BS
B	826-96						
A	2-27-95						