



**JAY R. SMITH MFG. CO.**  
 DIVISION OF SMITH INDUSTRIES, INC.  
 POST OFFICE BOX 3237  
 MONTGOMERY, ALABAMA 36109-0237 (USA)  
 TEL: 334-277-8520 FAX: 334-272-7396 www.jrsmith.com



MEMBER OF:

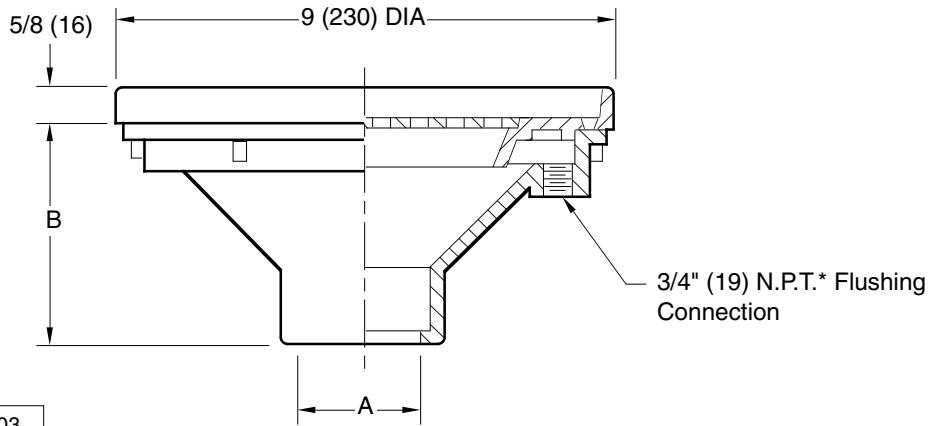
LOCATION

# SANI-CEPTOR® ACID RESISTANT COATED FLOOR & INDIRECT WASTE DRAIN



## REFRIGERATOR DRAIN WITH RECESSED GRATE

**FUNCTION:** Used to receive waste from refrigerators and similar appliances. Purging of the sump by the flushing action prevents contamination.

Free Area  
 7.20 SQ IN  
 (46) SQ CM



<b>A SIZE</b>	0150 (40)	02 (50)	03 (80)
<b>B</b>	4 1/2 (115)	4 1/2 (115)	3 1/2 (89)



 Fig. 3365C ..... CAULK OUTLET  
 Fig. 3365T ..... THREADED OUTLET


\*NOTE: The potable water supply to which a flushing type of drain is connected must be protected by a suitable vacuum breaker.

ΔNOTE: For water supply control boxes see Figs. 3380 and 3385

NOTE: Dimensions shown in parentheses are in millimeters.

**REGULARLY FURNISHED:**  
 Cast Iron Body with Acid Resistant Coated Interior and Nickel Bronze Top.

**VARIATIONS:**  
 Water Supply Control Box Δ  
 NO HUB Outlet (specify Fig. 2646Y Adaptor)

**OPTIONAL MATERIALS:**  
 All Duco Cast Iron Body -CI

DRAWING NUMBER S3365  
 SIZE A  
 SCALE: NONE  
 DATE: 9-19-85  
 APPROVED BY: SJM  
 CHECKED BY: JD  
 DRAWN BY: PJ  
 3365  
 DIMENSIONS ARE SUBJECT TO MANUFACTURERS TOLERANCE AND CHANGE WITHOUT NOTICE

REV.	DATE	DESCRIPTION	BY	CKD. BY	WEIGHT POUNDS	VOLUME CUBIC FEET	FIGURE NUMBER
	12-7-98	Revised Variations	TBW	DG			3365
	8-23-96	Added Millimeters	EMB	BS			
	12-10-93	Submittal Update	EMB	BS			