

K



**JAY R. SMITH MFG. CO.**  
 DIVISION OF SMITH INDUSTRIES, INC.  
 POST OFFICE BOX 3237  
 MONTGOMERY, ALABAMA 36109-0237 (USA)  
 TEL: 334-277-8520 FAX: 334-272-7396 www.jrsmith.com



MEMBER OF:



LOCATION

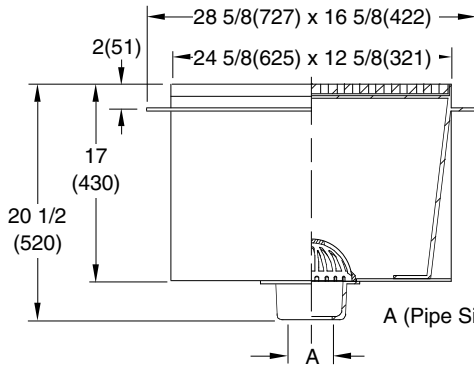
# SANI-CEPTOR® ACID RESISTANT COATED FLOOR & INDIRECT WASTE DRAINS

## RECTANGULAR NICKEL BRONZE TOP

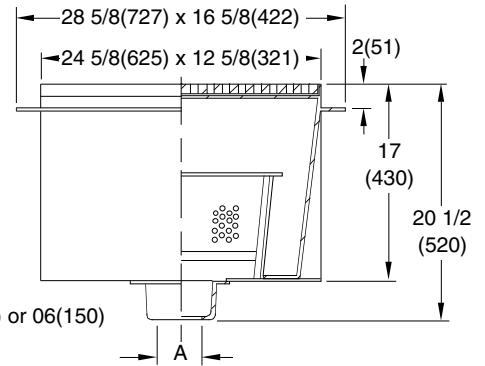
### 24 (610) x 12 (305) TOP EXTRA LARGE DEEP RECEPTORS

**FUNCTION:** Used in kitchens, schools, laundries and other commercial installations where a large volume of waste is anticipated and the ultimate in sanitation is desirable.

Free Area  
 125 SQ IN  
 (807) SQ CM



WITH DOME BOTTOM STRAINER



WITH SEDIMENT BUCKET

A (Pipe Size) = 02(50), 03(75), 04(100), 05(125) or 06(150)

- Fig. 3250C ..... CAULK OUTLET ..... Fig. 3251C
- Fig. 3250Y ..... NO-HUB OUTLET ..... Fig. 3251Y

### FEATURES, OPTIONS & ORDERING INFORMATION

**REGULARLY FURNISHED:** Fabricated Steel Flanged Receptor with Acid Resistant Coated Interior and Nickel Bronze Rim and Secured Grate. Acid Resistant Coated Dome Bottom Strainer or Stainless Steel Sediment Bucket as Indicated by Figure Number.

**VARIATIONS:**

- Aluminum Flat Bottom Strainer -FBS
- Flashing Clamp -C
- Polished Aluminum Dome Bottom Strainer -PDBS
- Vandal Proof Screws -U

**OPTIONAL MATERIALS:**

- All Duco Fabricated Steel Receptor
- All Galvanized Receptor -G

### OPTIONAL TOP GRATES/COVERS FOR INDIRECT WASTE APPLICATIONS

SUFFIX NUMBER	DESCRIPTION
-10	LESS NB RIM AND GRATE (Use Fig. 3482/3483 Body Less Grate)
-11	LESS GRATE W/NB RIM
-12	WITH NB RIM AND 1/2 GRATE
-13	WITH NB RIM AND 3/4 GRATE
-41	WITH NB RIM AND SOLID COVER
-42	WITH NB RIM AND 1/2 SOLID COVER
-43	WITH NB RIM AND 3/4 SOLID COVER
-44	WITH NB RIM AND SOLID COVER WITH 2 1/2"(64) DIA. CENTER HOLE

**NOTE:** Dimensions shown in parentheses are in millimeters.

DRAWING NUMBER S3250

SIZE A

SCALE: NONE

DATE: 9-19-85

APPROVED BY: SJM

CHECKED BY: JD

DRAWN BY: PJ

3250, 3251

WE CAN ASSUME NO RESPONSIBILITY FOR USE OF SUPERSEDED OR VOID DATA

DIMENSIONS ARE SUBJECT TO MANUFACTURERS TOLERANCE AND CHANGE WITHOUT NOTICE

REV.	DATE	DESCRIPTION	BY	CKD. BY	WEIGHT POUNDS	VOLUME CUBIC FEET	FIGURE NUMBER
	2/21/08	Revised Layout	RN	CL			<b>3250, 3251</b>
	7-29-96	Added Millimeters	EMB	BS			
	7-14-94	Revised	EMB	BS			
	12-6-93	Submittal Update	EMB	BS			