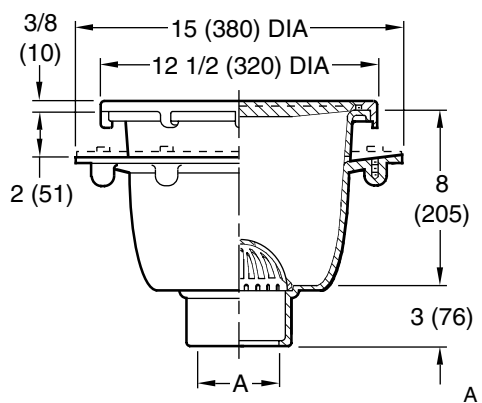


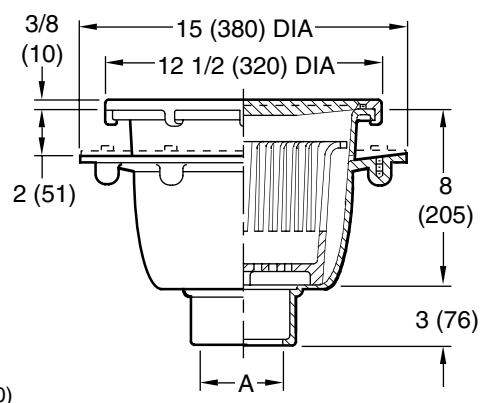
SANI-CEPTOR® ACID RESISTANT COATED FLOOR & INDIRECT WASTE DRAINS

ROUND NICKEL BRONZE TOP 12 1/2" (320) TOP - DEEP RECEPTORS

FUNCTION: Used in kitchens, hospitals, food markets, schools and all types of food handling areas where the ultimate in sanitation is desirable and a large capacity receptor is required.



Free Area
30 SQ IN
(194) SQ CM



WITH DOME BOTTOM STRAINER

WITH SEDIMENT BUCKET

Fig. 3060C CAULK OUTLET
 Fig. 3060Y NO-HUB OUTLET

Fig. 3061C CAULK OUTLET
 Fig. 3061Y NO-HUB OUTLET

A (Pipe Size) = 02(50), 03(80), 04(100)

FEATURES, OPTIONS & ORDERING INFORMATION

REGULARLY FURNISHED: Cast Iron Flanged Receptor with Seepage Holes, Acid Resistant Coated Interior, Nickel Bronze Rim and Secured Grate. Aluminum Dome Bottom Strainer or Sediment Bucket as Indicated by Figure Number.

OPTIONAL MATERIALS:

- All Duco Cast Iron Receptor -CI
- All Galvanized Receptor -G

NOTE: Dimensions shown in parentheses are in millimeters.

**SUFFIX NUMBER
ROUND RIM**

SUFFIX NUMBER	DESCRIPTION
-10	Less NB Rim and Grate
-11	Less Grate w/NB Rim
-12	With NB Rim and 1/2 Grate
-13	With NB Rim and 3/4 Grate
-14	With NB Rim and Grate with 2 1/2" (64) SQ Center Hole
-15	With NB Rim and Aluminum Recessed Grate
-19	With NB Rim and Hinged Grate
-21	With NB Rim and Grate with 4" (100) DIA NB Funnel
-22	With NB Rim and Grate with 6" (150) DIA NB Funnel
-25	With NB Rim and Grate with 8 1/4(210) x 3 1/4(83) x 4 1/2"(115) High Oval NB Funnel
-26	With NB Rim and Grate with 6(150) x 2 1/2(64) x 1"(25) High Oval NB Funnel
-41	With NB Rim and Solid Cover
-42	With NB Rim and 1/2 Solid Cover
-43	With NB Rim and 3/4 Solid Cover
-44	With NB Rim and Solid Cover with 2 1/2" (64) DIA Center Hole
-51	With Square NB Rim and Round Grate

VARIATIONS:

- Aluminum Flat Bottom Strainer -FBS
- Flashing Clamp -C
- Less Flange (Specify Fig. 3065, 3066)
- Polished Aluminum Dome Bottom Strainer -PDBS
- Vandal Proof Screws -U
- L Speedi-Set Service Weight
02(50), 03(80) & 04"(100) sizes only
- LXH Speedi-Set Extra Heavy
02(50), 03(80) & 04"(100) sizes only

3060, 3061

FIGURE NUMBER	3060, 3061	WEIGHT POUNDS	VOLUME CUBIC FEET	FIGURE NUMBER	3060, 3061
REV.	DATE	DESCRIPTION	BY	CKD. BY	
G F	10/19/09 4-8-96	Added -51 Suffix Number Rev Rim Description	JJ EMB	CL CL	

DRAWING NUMBER S3060
 SIZE A
 SCALE: NONE
 DATE: 2-15-85
 APPROVED BY: JD
 CHECKED BY: JD
 DRAWN BY: PJ

WE CAN ASSUME NO RESPONSIBILITY FOR USE OF SUPERSEDED OR VOID DATA
 DIMENSIONS ARE SUBJECT TO MANUFACTURERS TOLERANCE AND CHANGE WITHOUT NOTICE