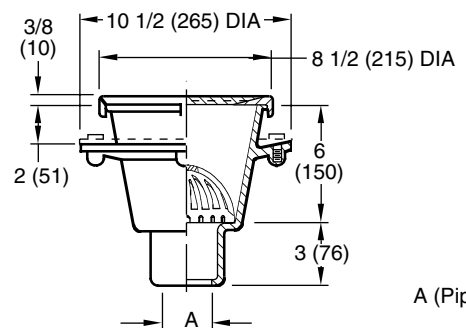


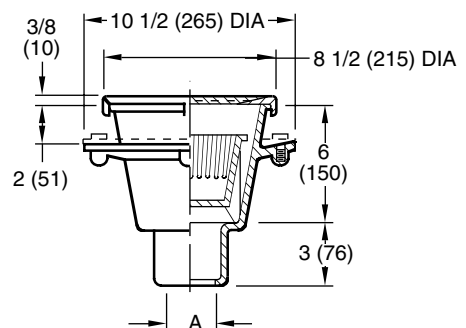
# SANI-CEPTOR® ACID RESISTANT COATED FLOOR & INDIRECT WASTE DRAINS

## ROUND NICKEL BRONZE TOP 8 1/2" (215) TOP - MEDIUM RECEPTORS

**FUNCTION:** Used in kitchens, hospitals, food markets, restaurants, schools and all types of food handling areas where the ultimate in sanitation is desirable and a medium capacity receptor is required.



Free Area  
17.35 SQ IN  
(112) SQ CM



**WITH DOME BOTTOM STRAINER**

**WITH SEDIMENT BUCKET**

- |  |   |  |
|--|---|--|
|  | Fig. 3040C ..... CAULK OUTLET ..... Fig. 3041C  |  |
|  | Fig. 3040Y ..... NO-HUB OUTLET ..... Fig. 3041Y |  |

### FEATURES, OPTIONS & ORDERING INFORMATION

**REGULARLY FURNISHED:** Cast Iron Flanged Receptor with Seepage Holes, Acid Resistant Coated Interior, Nickel Bronze Rim and Secured Grate. Aluminum Dome Bottom Strainer or Sediment Bucket as Indicated by Figure Number.

- VARIATIONS:**
- Aluminum Flat Bottom Strainer -FBS
  - Flashing Clamp -C
  - Less Flange (Specify Fig. 3045, 3046)
  - Polished Aluminum Dome Bottom Strainer -PDBS
  - Vandal Proof Screws -U

- OPTIONAL MATERIALS:**
- All Duco Cast Iron Receptor -CI
  - All Galvanized Receptor -G

**NOTE:** Dimensions shown in parentheses are in millimeters.

SUFFIX NUMBER	DESCRIPTION
<b>ROUND RIM</b>	
-10	Less NB Rim and Grate
-11	Less Grate w/NB Rim
-12	With NB Rim and 1/2 Grate
-13	With NB Rim and 3/4 Grate
-14	With NB Rim and Grate with 2 1/2" (64) SQ Center Hole
-15	With NB Rim and Aluminum Recessed Grate
-19	With NB Rim and Hinged Grate
-21	With NB Rim and Grate with 4" (100) DIA NB Funnel
-22	With NB Rim and Grate with 6" (150) DIA NB Funnel
-25	With NB Rim and Grate with 8 1/4(210) x 3 1/4(83) x 4 1/2"(115) High Oval NB Funnel
-26	With NB Rim and Grate with 6(150) x 2 1/2(64) x 1"(25) High Oval NB Funnel
-41	With NB Rim and Solid Cover
-42	With NB Rim and 1/2 Solid Cover
-43	With NB Rim and 3/4 Solid Cover
-44	With NB Rim and Solid Cover with 2 1/2" (64) DIA Center Hole
-51	With Square NB Rim and Round Grate

DRAWING NUMBER: S3040  
 SIZE: A  
 SCALE: NOINE  
 DATE: 9-19-85  
 APPROVED BY: SJM  
 CHECKED BY: JD  
 DRAWN BY: PJ  
**3040, 3041**  
 DIMENSIONS ARE SUBJECT TO MANUFACTURERS TOLERANCE AND CHANGE WITHOUT NOTICE

F	10/19/09	Added -51 Suffix Number	JJ	CL	WEIGHT POUNDS	VOLUME CUBIC FEET	FIGURE NUMBER
E	4-8-96	Rev Rim Description	EMB	BS			<b>3040, 3041</b>
REV.	DATE	DESCRIPTION	BY	CKD. BY			