

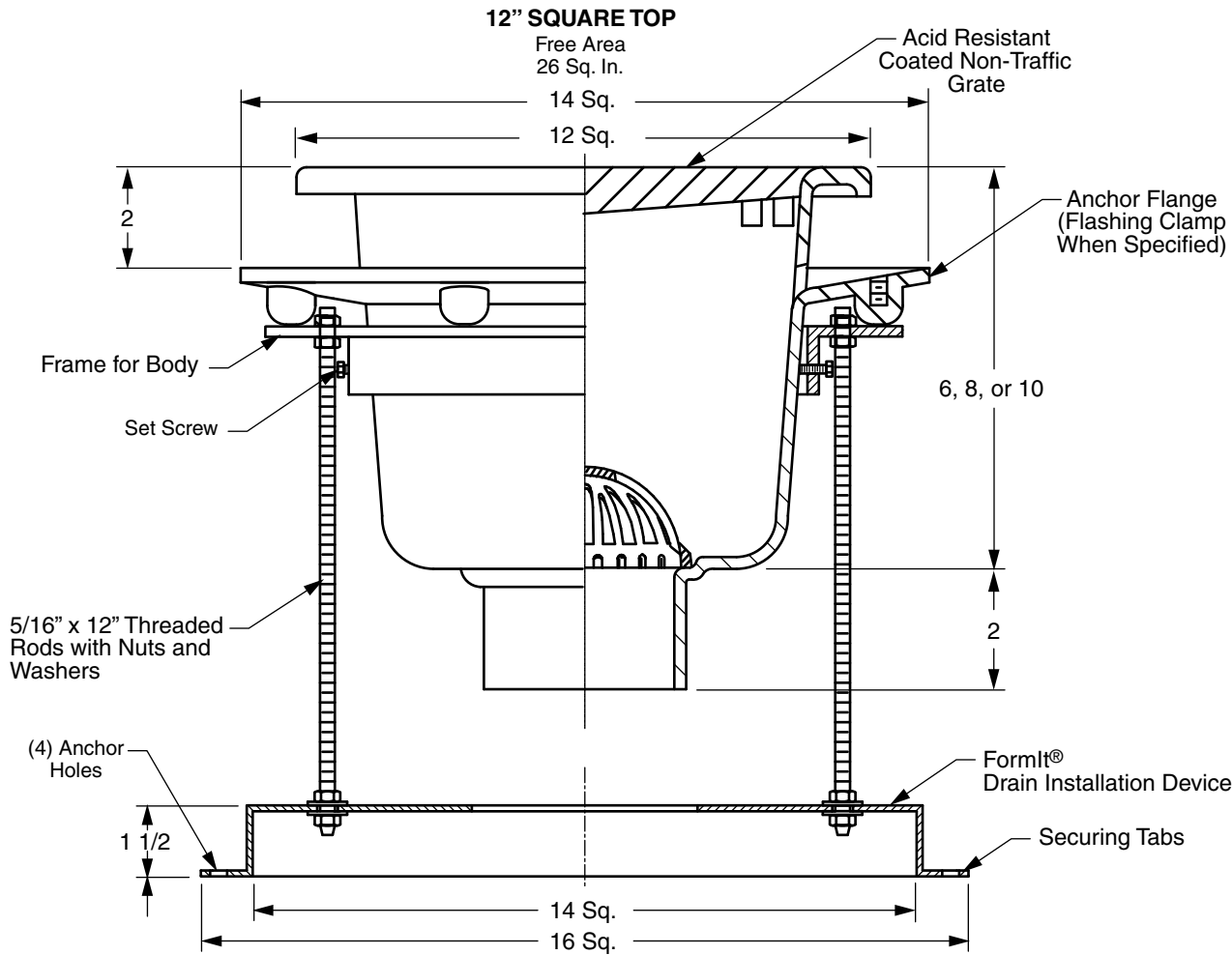


LOCATION

B
 DRAWING NUMBER s3039
 SIZE A
 SCALE: NONE
 DATE: 8-28-08
 APPROVED BY: BW
 CHECKED BY: BW
 DRAWN BY: RN
 FIGURE NUMBER 3039
 DIMENSIONS ARE SUBJECT TO MANUFACTURERS TOLERANCE AND CHANGE WITHOUT NOTICE

12" SQUARE ENAMELED FLOOR SINK WITH FormIt® DRAIN INSTALLATION DEVICE

FUNCTION: The Jay R. Smith Mfg. Co.® FormIt® Drain Installation Device is designed to stabilize the drain and provide adjustment during the installation process and allows final connection of outlet piping to drain after the concrete pour.



A (Pipe Size) = 02,03 or 04
 Fig. 3039Y..... NO HUB OUTLET
 Fig. 3039Y(-B)..... NO HUB OUTLET WITH BUCKET

REGULARLY FURNISHED:

Cast Iron Flanged Receptor with Acid Resistant Coated Interior, Loose Set Acid Resistant Coated Grate, Aluminum Dome Bottom Strainer or Aluminum Sediment Bucket as Indicated by Figure Number Selected and FormIt® Drain Installation Device with Trim.

VARIATIONS:

- Acid Resistant 1/2 Grate (Suffix) -12
- Acid Resistant 3/4 Grate (Suffix) -13
- Aluminum Flat Bottom Strainer -FBS
- Flashing Clamp -C
- Sediment Bucket -B
- Vandal Proof Top (Nickel Bronze Tops Only) -U
- Polished Aluminum Dome Bottom Strainer -PDBS

OPTIONAL MATERIAL:

- Nickel Bronze Frame and Grate in lieu of ARC Grate -NB
- Polished Bronze Frame and Grate in lieu of ARC Grate -PB
- All Duco Cast Iron Receptor -CI
- All Galvanized Receptor -G

REV.	DATE	DESCRIPTION	BY	CKD. BY	WEIGHT POUNDS	VOLUME CUBIC FEET	FIGURE NUMBER
B A	7-7-10 05/14/09	Revised™ to @ Added Function	RN JJ	BW BW			3039