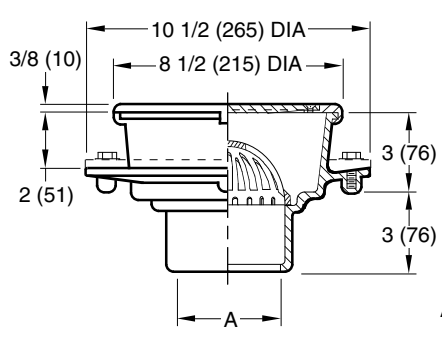


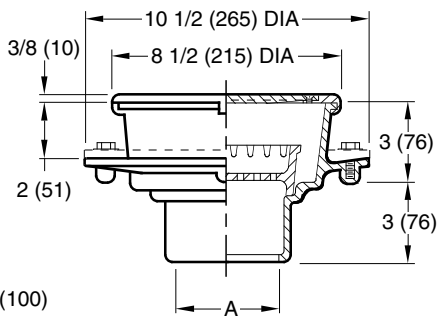
SANI-CEPTOR® ACID RESISTANT COATED FLOOR & INDIRECT WASTE DRAINS

ROUND NICKEL BRONZE TOP 8 1/2" (215) TOP - SHALLOW RECEPTORS

FUNCTION: Used in kitchens, hospitals, food markets, restaurants, schools and all types of food handling areas where the ultimate in sanitation is desirable and a small capacity receptor is required.



Free Area
17.35 SQ IN
(112) SQ CM



WITH DOME BOTTOM STRAINER

WITH SEDIMENT BUCKET

Fig. 3020C CAULK OUTLET Fig. 3021C
 Fig. 3020Y NO-HUB OUTLET Fig. 3021Y

DRAWING NUMBER S3020
 SIZE A
 SCALE: NONE
 DATE: 9-19-85
 APPROVED BY: SJM
 CHECKED BY: JD
 DRAWN BY: PJ
3020, 3021
 DIMENSIONS ARE SUBJECT TO MANUFACTURERS TOLERANCE AND CHANGE WITHOUT NOTICE

WE CAN ASSUME NO RESPONSIBILITY FOR USE OF SUPERSEDED OR VOID DATA

FEATURES, OPTIONS & ORDERING INFORMATION

REGULARLY FURNISHED: Cast Iron Flanged Receptor with Seepage Holes, Acid Resistant Coated Interior, Nickel Bronze Rim and Secured Gate. Aluminum Dome Bottom Strainer or Sediment Bucket as Indicated by Figure Number.

- VARIATIONS:**
- Aluminum Flat Bottom Strainer -FBS
 - Flashing Clamp -C
 - Less Flange (Specify Fig. 3025, 3026)
 - Polished Aluminum Dome Bottom Strainer-PDBS
 - Vandal Proof Screws -U

- OPTIONAL MATERIALS:**
- All Duco Cast Iron Receptor -CI
 - All Galvanized Receptor -G

NOTE: Dimensions shown in parentheses are in millimeters.

SUFFIX NUMBER	ROUND RIM	DESCRIPTION
<input type="checkbox"/>	-10	Less NB Rim and Grate
<input type="checkbox"/>	-11	Less Grate w/NB Rim
<input type="checkbox"/>	-12	With NB Rim and 1/2 Grate
<input type="checkbox"/>	-13	With NB Rim and 3/4 Grate
<input type="checkbox"/>	-14	With NB Rim and Grate with 2 1/2"(64) SQ Center Hole
<input type="checkbox"/>	-15	With NB Rim and Aluminum Recessed Grate
<input type="checkbox"/>	-19	With NB Rim and Hinged Grate
<input type="checkbox"/>	-21	With NB Rim and Grate with 4"(100) DIA NB Funnel
<input type="checkbox"/>	-22	With NB Rim and Grate with 6"(150) DIA NB Funnel
<input type="checkbox"/>	-25	With NB Rim and Grate with 8 1/4(210) x 3 1/4(83) x 4 1/2"(115) High Oval NB Funnel
<input type="checkbox"/>	-26	With NB Rim and Grate with 6(150) x 2 1/2(64) x 1"(25) High Oval NB Funnel
<input type="checkbox"/>	-41	With NB Rim and Solid Cover
<input type="checkbox"/>	-42	With NB Rim and 1/2 Solid Cover
<input type="checkbox"/>	-43	With NB Rim and 3/4 Solid Cover
<input type="checkbox"/>	-44	With NB Rim and Solid Cover with 2 1/2"(64) DIA Center Hole

D	8-23-96	Added Millimeters	EMB	BS	WEIGHT	VOLUME	FIGURE NUMBER
C	7-12-94	Revised	EMB	BS	POUNDS	CUBIC FEET	3020, 3021
B	12-1-93	Submittal Update	EMB	BS			
A	10-10-93	Rev Reg Furn & Dwg	TWK	CR			
REV.	DATE	DESCRIPTION	BY	CKD. BY			