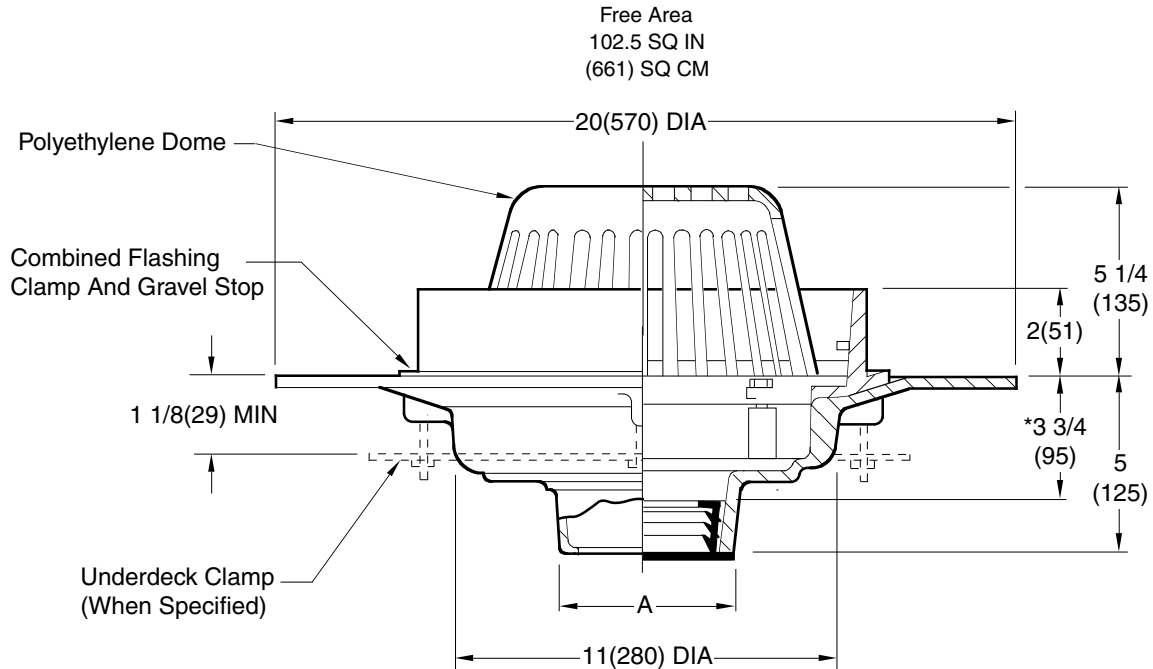


# SPECIAL PURPOSE ROOF DRAINS

## WATER COLLAR TYPE

**FUNCTION:** Used in flat roofs of any construction where a constant height of water is desired on the roof. It may also be used as an emergency overflow for conventional roofs, draining rain water when the depth of the water on the roof reaches the water dam height. It is utilized with a liquid membrane waterproofing.



A (Pipe Size) = 02(50), 03(80), 04(100), 05(125), 06(150) or 08(200)

- Fig. DX1080C . . . . CAULK OUTLET
- Fig. DX1080Y . . . . NO-HUB OUTLET

**REGULARLY FURNISHED:**

Duco Cast Iron Body with Wide Flange, Combined Flashing Clamp and Water Dam with Polyethylene Dome.

**VARIATIONS:**

- Expansion Joint (Specify Fig. 1710)
- Extension (Specify Height) -E
- "L" Shaped Underdeck Clamp -CL
- 2 1/2(64), 3(76) or 4"(100) Water Dams Available -WD
- L Speedi-Set Service Weight 02(50), 03(80) & 04"(100) sizes only
- LXH Speedi-Set Extra Heavy 02(50), 03(80) & 04"(100) sizes only
- Secondary Flashing Clamp -C2
- Underdeck Clamp -C

**OPTIONAL MATERIALS:**

- Aluminum Dome -AD
- Cast Iron Dome -CID
- Galvanized Cast Iron -G
- Rough Bronze Dome -RBD

**NOTE:** Dimensions shown in parentheses are in millimeters

**NOTE:** Recommended deck opening 14 3/4"(375)

DRAWING NUMBER  
SDX1080

SIZE  
A

SCALE:  
NONE

DATE:  
2-2-87

APPROVED BY:  
JD

CHECKED BY:  
VGD

DRAWN BY:  
WAS

**DX1080**

FIGURE NUMBER

WE CAN ASSUME NO RESPONSIBILITY FOR USE OF SUPERSEDED OR VOID DATA

DIMENSIONS ARE SUBJECT TO MANUFACTURERS TOLERANCE AND CHANGE WITHOUT NOTICE

A	5-19-95	Added millimeters	CMB	BS	WEIGHT POUNDS	VOLUME CUBIC FEET	FIGURE NUMBER <b>DX1080</b>
REV.	DATE	DESCRIPTION	BY	CKD. BY			