



**JAY R. SMITH MFG. CO.**  
 DIVISION OF SMITH INDUSTRIES, INC.  
 POST OFFICE BOX 3237  
 MONTGOMERY, ALABAMA 36109-0237 (USA)  
 TEL: 334-277-8520 FAX: 334-272-7396 www.jrsmith.com



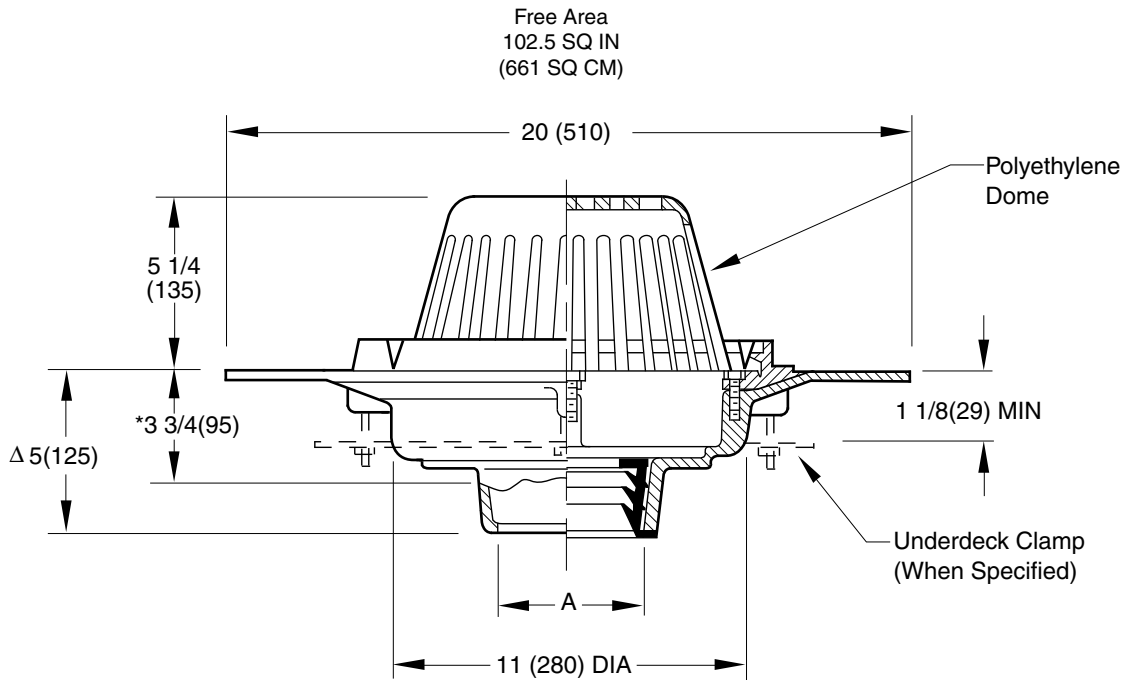
MEMBER OF:

LOCATION

# GENERAL PURPOSE ROOF DRAINS

## WIDE FLANGE BODY WITH SECURED DOME

**FUNCTION:** For use in promenade roof deck and rooftop recreational areas where traffic bearing roof deck covering is to be applied. Drain body sump is protected from leaves, paper and other debris by large secured dome.



A (Pipe Size) = 02(50),03(75),04(100),05(125) or 06(150)

- Fig. DX1010C ..... CAULK OUTLET
- Fig. DX1010Y ..... NO-HUB OUTLET

**REGULARLY FURNISHED:**

Duco Cast Iron Wide Flange Body with Combined Flashing Clamp and Gravel Stop with Polyethylene Dome.

Δ Same for Caulk, NO-HUB and Speedi-Set. 3 3/4(95) for Threaded  
 NOTE: Recommended deck opening 14(355) DIA.

\*This Dimension to Internal Stop of Speedi-Set Gasket.

**VARIATIONS:**

- "L" Shaped Underdeck Clamp -CL
- L Speedi-Set Service Weight  
02(50), 03(75) & 04"(100) sizes only
- LXH Speedi-Set Extra Heavy  
02(50), 03(75) & 04"(100) sizes only
- Securing Holes -SH
- Underdeck Clamp -C
- Vandal Proof Dome -U
- T Threaded Outlet

**OPTIONAL MATERIALS:**

- Aluminum Dome -AD
- Cast Iron Dome -CID
- Galvanized Cast Iron Dome -CIDG
- Galvanized Cast Iron Body and Collar -G
- Rough Bronze Dome -RBD

**NOTE:** Dimensions shown in parentheses are in millimeters.

DRAWING NUMBER  
SDX1010

SIZE  
A

SCALE:  
NONE

DATE:  
8-10-06

APPROVED BY:  
CL

CHECKED BY:  
CL

DRAWN BY:  
TBW

FIGURE NUMBER  
DX1010

WE CAN ASSUME NO RESPONSIBILITY FOR USE OF SUPERSEDED OR VOID DATA

DIMENSIONS ARE SUBJECT TO MANUFACTURERS TOLERANCE AND CHANGE WITHOUT NOTICE

REV.	DATE	DESCRIPTION	BY	CKD. BY

WEIGHT  
POUNDS

VOLUME  
CUBIC FEET

FIGURE NUMBER  
**DX1010**