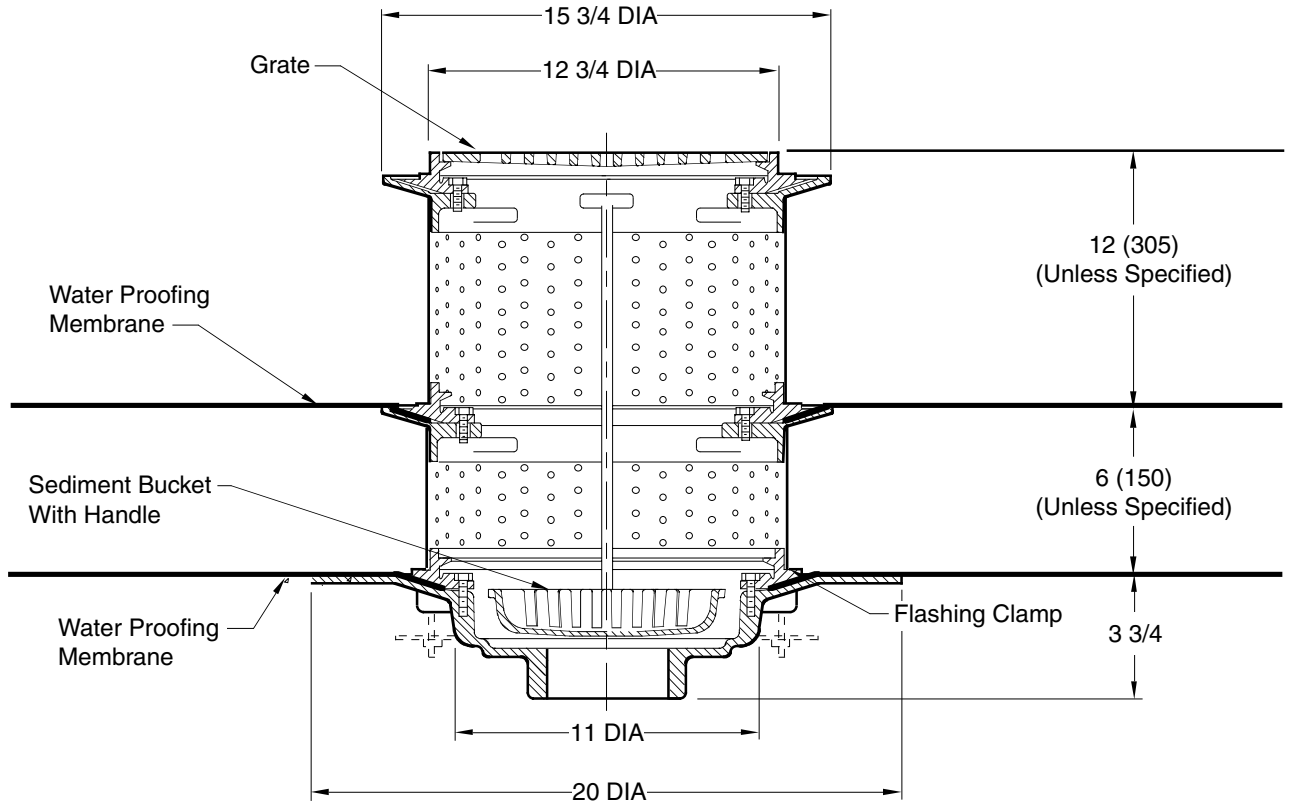


C  
 DRAWING NUMBER **S1930**  
 SIZE **A**  
 SCALE: **NONE**  
 DATE: **10-2-07**  
 APPROVED BY: **ECW**  
 CHECKED BY: **BW**  
 DRAWN BY: **RN**  
**1930**  
 DIMENSIONS ARE SUBJECT TO MANUFACTURERS TOLERANCE AND CHANGE WITHOUT NOTICE

# PLANTING AREA DRAIN



A (Pipe Size) = 02, 03, 04, 05, 06, or 08  
 1930Y.....NO-HUB OUTLET  
 1930L.....SPEEDI-SET OUTLET

**REGULARLY FURNISHED:**  
 Duco Cast Iron Wide Flange Body  
 with Perforated Stainless Steel  
 Extensions with Flashing Clamps,  
 Bucket and Cast Iron Grate.

- VARIATIONS:**
- Underdeck Clamp -C
  - "L" Shaped Underdeck Clamp -CL
  - T Threaded Outlet
  - L Speedi-Set Outlet  
(2, 3, or 4" Sizes Only  
Specify XH or SW)

REV.	DATE	DESCRIPTION	BY	CKD. BY
C	04/19/10	Added 12 & 6 unless specified Removed SQ note Renamed as 1930	JJ	TK
B	03/25/10		JJ	TK
A	10/29/09		JJ	TK

WEIGHT POUNDS	VOLUME CUBIC FEET
------------------	----------------------

**FIGURE NUMBER**  
1930