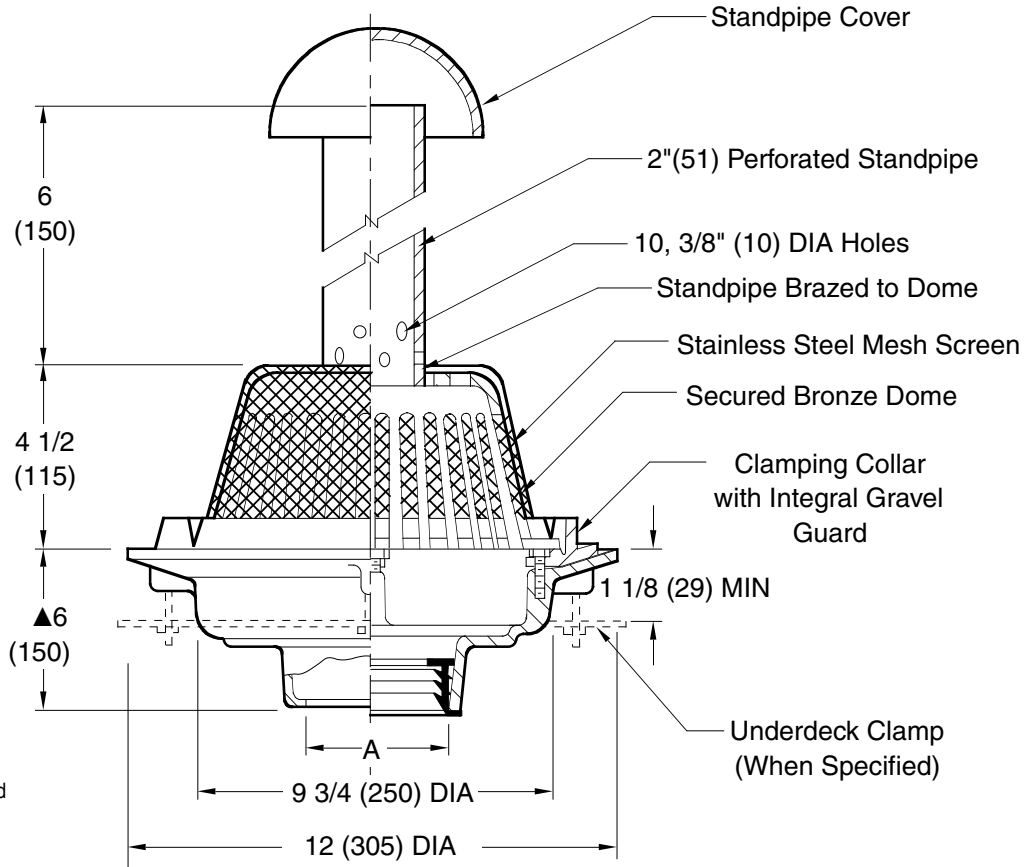




LOCATION

ROOF DRAIN WITH STANDPIPE

LARGE AREA PLANTER TYPE



▲ Same for Caulk, No-Hub and Speedi-set. 4 3/4 (120) for Threaded.

A (Pipe Size) = 02(50), 03(80), 04(100), 05(125) or 06(150)

- Fig. 1910C.....Caulk Outlet
- Fig. 1910Y.....No-Hub Outlet
- Fig. 1910T.....Threaded Outlet

REGULARLY FURNISHED:
 Duco Cast Iron Body with Combined Flashing Clamp and Gravel Stop, Secured Perforated Bronze Standpipe and Standpipe Cover, and Mesh Covered Bronze Dome.

- VARIATIONS:**
- Standpipe Longer (When Specified)
 - Sump Receiver -R
 - Underdeck Clamp -C
 - Vandal Proof Dome -U

NOTE: Dimensions shown in parentheses are in millimeters.

DRAWING NUMBER S1910
 SIZE A
 SCALE: NONE
 DATE: 08/11/05
 APPROVED BY: CL
 CHECKED BY: CL
 DRAWN BY: JJ
 DIMENSIONS ARE SUBJECT TO MANUFACTURERS TOLERANCE AND CHANGE WITHOUT NOTICE
 WE CAN ASSUME NO RESPONSIBILITY FOR USE OF SUPERSEDED OR VOID DATA
 FIGURE NUMBER 1910

| REV. | DATE | DESCRIPTION | BY | CKD. BY |
|--------|----------------------|------------------------------------|----------|----------|
| B A | 03/25/10 10/29/09 | Removed SQ note Renamed as 1910 | JJ JJ | TK TK |

| | |
|------------------|----------------------|
| WEIGHT POUNDS | VOLUME CUBIC FEET |
| | |

| |
|-------------------------------------|
| FIGURE NUMBER 1910 |
|-------------------------------------|