



JAY R. SMITH MFG. CO.
 DIVISION OF SMITH INDUSTRIES, INC.
 POST OFFICE BOX 3237
 MONTGOMERY, ALABAMA 36109-0237 (USA)
 TEL: 334-277-8520 FAX: 334-272-7396 www.jrsmith.com



MEMBER OF:

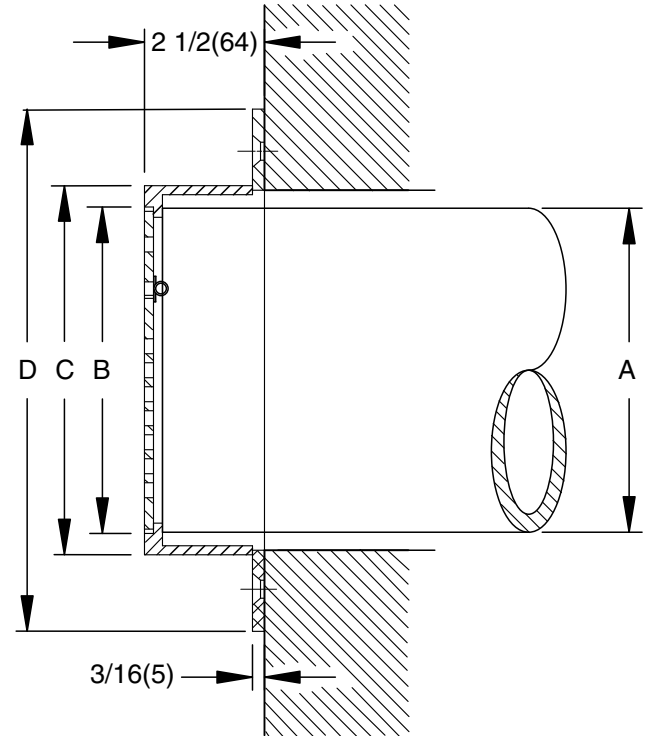
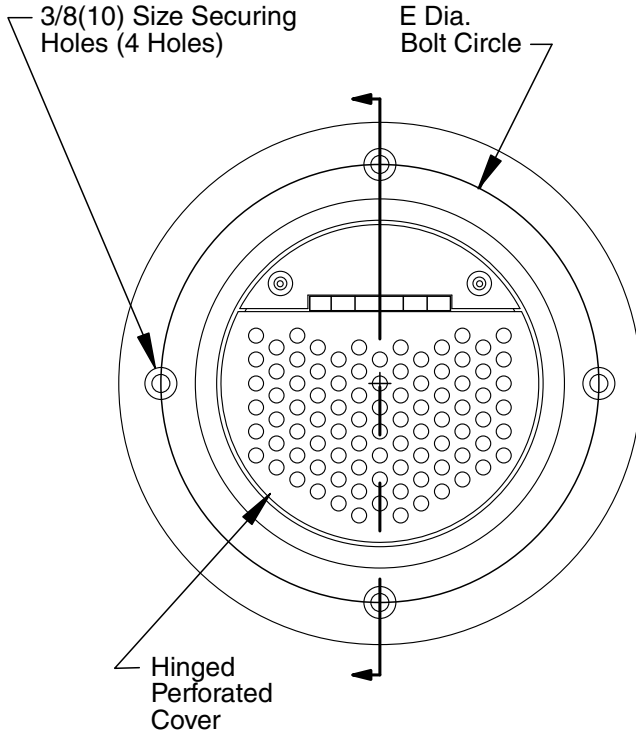


LOCATION

**FORMERLY
SQ-9-2039**

SPECIAL PURPOSE DOWNSPOUT COVER

FUNCTION: Used as a downspout cover on a wall where an overflow roof drain concealed leader discharges rainwater to the ground.



FRONT VIEW

RIGHT SIDE SECTION VIEW

A (Pipe Size)	B DIA.	C DIA.	D DIA.	E DIA.
0150(38)	3 1/2(89)	4 1/2(115)	7 11/16(194)	6(150)
02(50)	3 1/2(89)	4 1/2(115)	7 11/16(194)	6(150)
03(75)	3 1/2(89)	4 1/2(115)	7 11/16(194)	6(150)
04(100)	4 9/16(116)	5 9/16(142)	8 3/4(220)	7 1/8(181)
05(125)	5 5/8(143)	6 5/8(168)	9 13/16(251)	8 1/4(210)
06(150)	6 11/16(169)	7 11/16(194)	10 7/8(278)	9(230)
08(200)	8 11/16(219)	9 11/16(249)	12 7/8(328)	11 1/4(285)
10(250)	10 13/16(276)	11 13/16(301)	15(380)	13 1/2(345)
12(305)	12 13/16(326)	13 13/16(351)	17(430)	15 1/2(395)
15(380)	16(405)	16 15/16(429)	20 1/8(513)	18 1/2(470)

Fig. 1775. DOWNSPOUT COVER

REGULARLY FURNISHED:
 Fabricated Type 304 Stainless Steel
 Downspout Cover with Hinged Perforated Cover.

VARIATIONS:
 Vandal Proof -U

OPTIONAL MATERIALS:
 Fabricated Polished Brass -PB
 Fabricated Chrome Plated Brass -CP

NOTE: Dimensions shown in parentheses are in millimeters.

DRAWING NUMBER s1775
 SIZE A
 SCALE: NONE
 DATE: 03-07-05
 APPROVED BY: JM
 CHECKED BY: JM
 DRAWN BY: JJ
 FIGURE NUMBER 1775
 DIMENSIONS ARE SUBJECT TO MANUFACTURERS TOLERANCE AND CHANGE WITHOUT NOTICE
 WE CAN ASSUME NO RESPONSIBILITY FOR USE OF SUPERSEDED OR VOID DATA

REV.	DATE	DESCRIPTION	BY	CKD. BY	WEIGHT POUNDS	VOLUME CUBIC FEET	FIGURE NUMBER
	04/27/09 6-16-08 9-13-07	Added Function Revised Cover Revised Table	JJ TBW RN	CL CL CL			1775