

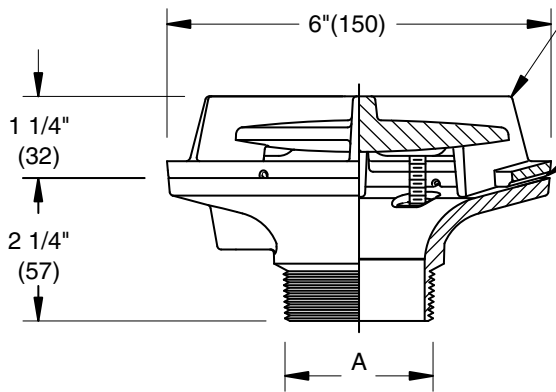
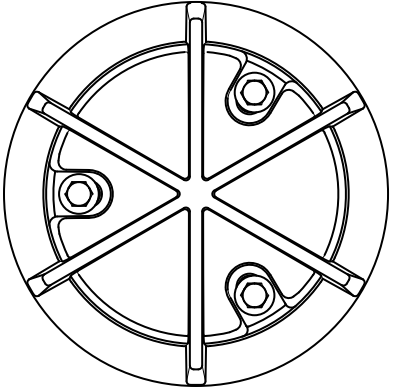
SIPHONIC GUTTER DRAIN

6"(150) DIAMETER - LOW PROFILE GUTTER DRAIN

FUNCTION: For use in engineered siphonic roof drainage systems for gutters, parapets, small balconies, sills, cornices, marquees and other small overhanging areas where drainage of rainwater is required. Air baffle creates siphonic drainage action producing more efficient drainage than traditional gutter drains.

DRAWING NUMBER S1605
 SIZE A
 SCALE: NONE
 DATE: 4-14-06
 APPROVED BY: CR
 CHECKED BY: CR
 DRAWN BY: RN
 DIMENSIONS ARE SUBJECT TO MANUFACTURERS TOLERANCE AND CHANGE WITHOUT NOTICE
 WE CAN ASSUME NO RESPONSIBILITY FOR USE OF SUPERSEDED OR VOID DATA

Free Area
 5.42 Sq. In.
 (35) Sq. Cm.



- NOTES:**
1. Drain shall be installed per local code requirements
 2. Dimensions shown in parentheses are in millimeters.

Performance Data *		
Size (A) in(mm)	Max Capacity cfs (lps)	Resistance Value, K
02 (50)	0.40 (11.3)	0.66

- Fig. 1605T MALE THREADED OUTLET
 Fig. 1605Y NO HUB OUTLET

REGULARLY FURNISHED:
 Duco Cast Iron Body with
 Combination Flashing Clamp and
 Air Baffle.

VARIATIONS:
 Vandal Proof -U

OPTIONAL MATERIALS:
 Galvanized Cast Iron -G

*As tested and certified by ANSI/ASME A112.6.9 "Siphonic Roof Drains" procedures and test apparatus.
 IAPMO Listed File No. 5138

U.S. Patent No. D576,257S

1605

FIGURE NUMBER	C	10-10-08	Added Patent No.	RN	CL	WEIGHT POUNDS	VOLUME CUBIC FEET	FIGURE NUMBER
	B	5-21-07	Added Notes	RN	CL			
	A	5-10-06	Added Notes	TBW	CL			1605
REV.	DATE	DESCRIPTION	BY	CKD. BY				