

SCUPPER DRAINS

FUNCTION: Used at specific angles of junction of roof and parapet with connection to outside conductor. Convex grate allows ample drainage area if sides become clogged with debris. Clamping arrangement insures water-tight assembly.

Free Area
27 SQ IN
(174) SQ CM

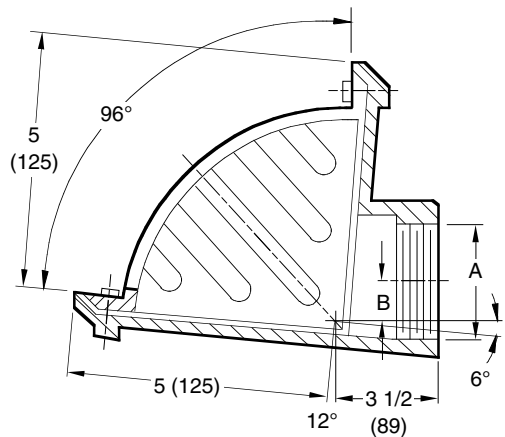
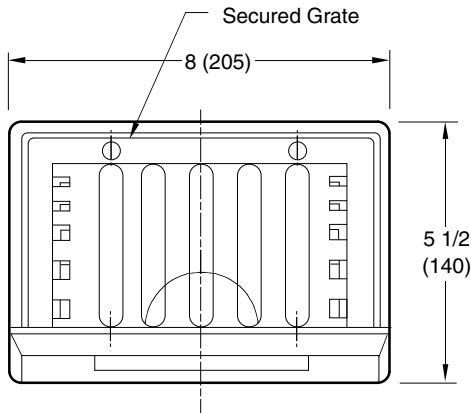


Fig. 1585TTHREADED OUTLET

A SIZE	02 (50)	03 (75)	04 (100)
B	3/4 (19)	1 1/4 (32)	1 3/4 (44)

REGULARLY FURNISHED:
Cast Bronze Body with Combined Rough Bronze Grate and Flashing Clamp.

OPTIONAL MATERIALS:
 Nickel Bronze Grate -NB
 Polished Bronze Grate -PB

NOTE: Dimensions shown in parentheses are in millimeters.

DRAWING NUMBER
S1585

SIZE
A

SCALE:
NONE

DATE:
5-24-85

APPROVED BY:
TD

CHECKED BY:
TD

DRAWN BY:
PL

1585

DIMENSIONS ARE SUBJECT TO MANUFACTURERS TOLERANCE AND CHANGE WITHOUT NOTICE

C	6-16-99	Revised Millimeters	CMD	BS	WEIGHT	VOLUME	FIGURE NUMBER
B	6-11-96	Added Millimeters	EMB	BS	POUNDS	CUBIC FEET	1585
A	11-28-94	Submittal Update	CMB	BS			
REV.	DATE	DESCRIPTION	BY	CKD. BY			