

SCUPPER DRAINS

DOWNSPOUT ADAPTOR

FUNCTION: Used in conjunction with scupper drains. Downspout adaptor is used to connect outside downspout to side outlet (90°) drains.

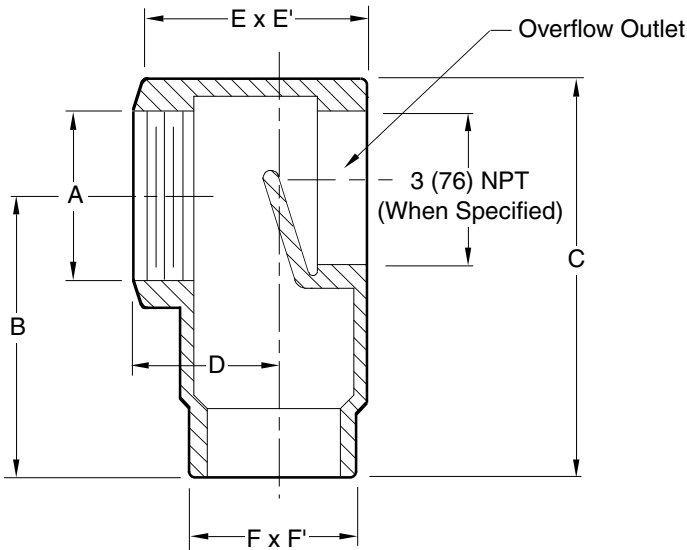


Fig. 1550T DOWNSPOUT ADAPTOR

A SIZE	B	C	D	E X E'	F X F'
02(50), 03(75) & 04(100)	4 3/4 (120)	7 1/4 (185)	2 3/4 (70)	4 1/4 x 5 3/4 (110) x (145)	3 x 5 (76) x (125)

REGULARLY FURNISHED:
Duco Cast Iron.

VARIATIONS:
 Tapped 3" (76) NPT -T3
(When Specified)

OPTIONAL MATERIALS:
 Galvanized Cast Iron -G

NOTE: Dimensions shown in parentheses are in millimeters.

DRAWING NUMBER S1550
SIZE A
SCALE: NONE
DATE: 5-24-85
APPROVED BY: TD
CHECKED BY: TD
DRAWN BY: PL
1550
FIGURE NUMBER

WE CAN ASSUME NO RESPONSIBILITY FOR USE OF SUPERSEDED OR VOID DATA
DIMENSIONS ARE SUBJECT TO MANUFACTURERS TOLERANCE AND CHANGE WITHOUT NOTICE

REV.	DATE	DESCRIPTION	BY	CKD. BY	WEIGHT POUNDS	VOLUME CUBIC FEET	FIGURE NUMBER 1550