

M



**JAY R. SMITH MFG. CO.**  
 DIVISION OF SMITH INDUSTRIES, INC.  
 POST OFFICE BOX 3237  
 MONTGOMERY, ALABAMA 36109-0237 (USA)  
 TEL: 334-277-8520 FAX: 334-272-7396 www.jrsmith.com



MEMBER OF:



LOCATION

DRAWING NUMBER  
S1419

SIZE  
A

SCALE:  
NONE

DATE:  
5-24-85

APPROVED BY:  
BS

CHECKED BY:  
TD

DRAWN BY:  
CR

1419

FIGURE NUMBER

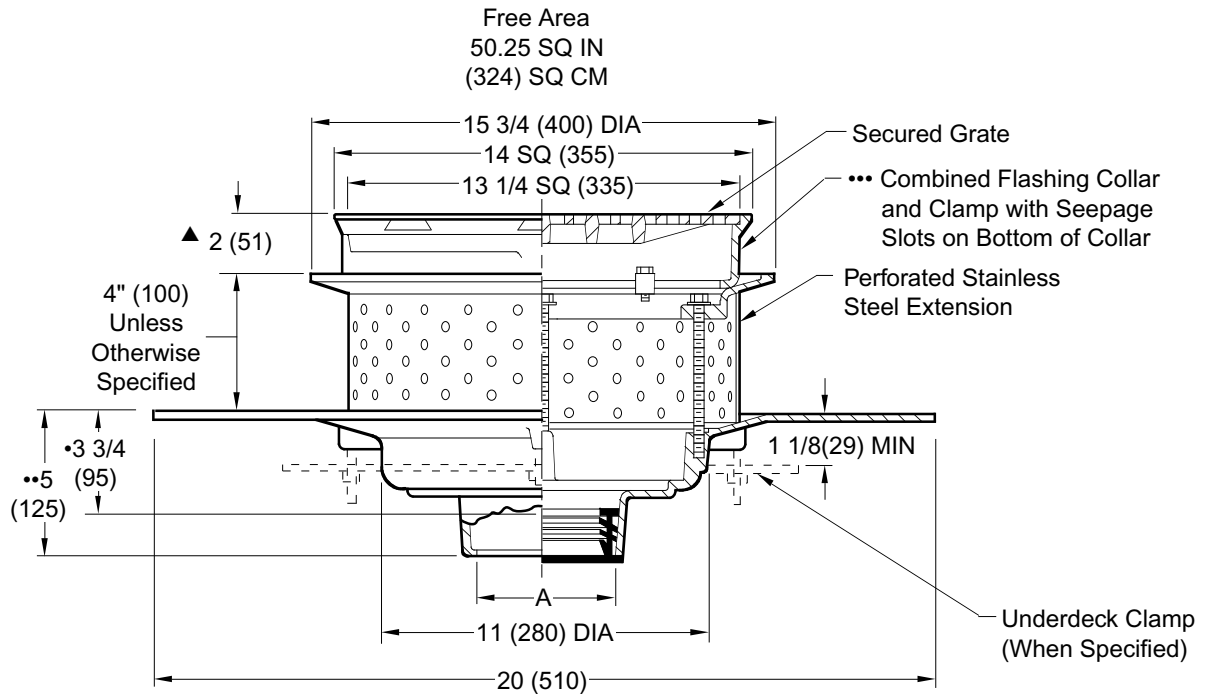
WE CAN ASSUME NO RESPONSIBILITY FOR USE OF SUPERSEDED OR VOID DATA

DIMENSIONS ARE SUBJECT TO MANUFACTURERS TOLERANCE AND CHANGE WITHOUT NOTICE

# PROMENADE DECK DRAIN

## FOR SPECIAL ROOF APPLICATIONS

**FUNCTION:** Used in roof deck systems where the insulated membrane assembly method of waterproofing is provided. Used where a liquid membrane waterproofing is installed on a flat roof construction which is designed for parking decks or promenades for recreational purposes.



- This Dimension to Internal Stop of Speedi-Set Gasket.
- Same for Caulk, NO-HUB and Speedi-Set. 3 3/4(95) for Threaded.
- Specify Suffix-W for Applications Requiring "Loose-Set" Pavers.
- ▲Add 1/8 "(3) when bronze top is specified.

A (Pipe Size) = 02(50), 03(75), 04(100), 05(125) and 06(150)

- Fig. 1419C . . . . CAULK OUTLET
- Fig. 1419Y . . . . NO-HUB OUTLET

**NOTE:** Recommended deck opening 14" (355)

**REGULARLY FURNISHED:**

Duco Cast Iron Body, Perforated Stainless Steel Extension, Cast Iron Top Frame and Heavy Duty Secured Grate.

**VARIATIONS:**

- Expansion Joint (Specify Fig. 1710)
- Extension (Specify Height) -E
- "L" Shaped Underdeck Clamp -CL
- L Speedi-Set Service Weight 02(50), 03(75) & 04"(100) sizes only
- LXH Speedi-Set Extra Heavy 02(50), 03(75) & 04"(100) sizes only
- Underdeck Clamp -C
- T Threaded Outlet

**OPTIONAL MATERIALS:**

- Ductile Iron Grate -M
- Galvanized Cast Iron -G
- Nickel Bronze Top -NB
- Polished Bronze Top -PB

**NOTE:** Dimensions shown in parentheses are in millimeters.

**NOTE:** Floor drains or area drains used to drain areas subject to rainfall should have an open area equal to twice the cross sectional area of the connecting pipe.

M	12/11/03	Removed C2 Variation	JJ	BW
L	2/2/01	Rev. Opt. Mat.	RN	CL
K	12/13/99	Submittal Update	JJ	BS
REV.	DATE	DESCRIPTION	BY	CKD. BY

WEIGHT POUNDS	VOLUME CUBIC FEET	FIGURE NUMBER
		1419