

K



JAY R. SMITH MFG. CO.
 DIVISION OF SMITH INDUSTRIES, INC.
 POST OFFICE BOX 3237
 MONTGOMERY, ALABAMA 36109-0237 (USA)
 TEL: 334-277-8520 FAX: 334-272-7396 www.jrsmith.com



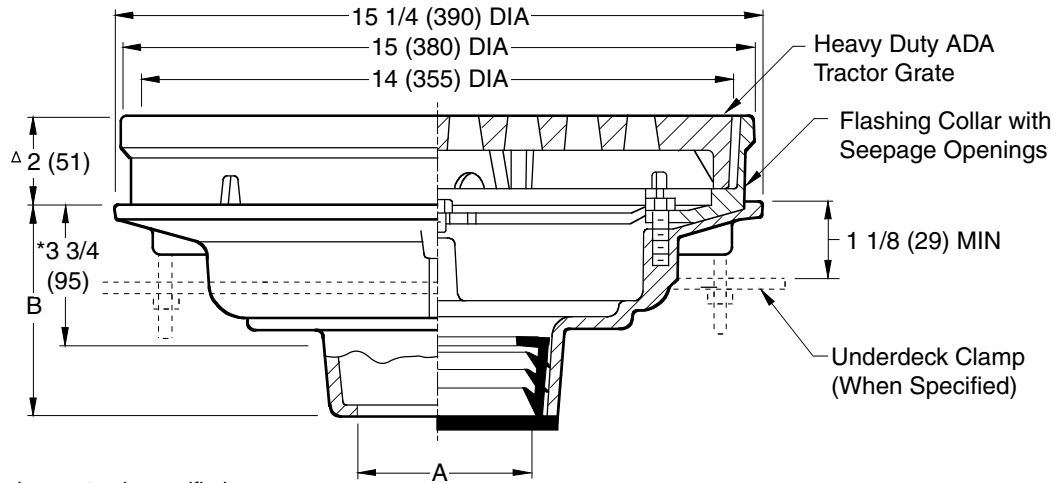
MEMBER OF:

LOCATION

HEAVY DUTY ROOF DRAIN FOR PARKING AREA

FUNCTION: Used in heavy traffic areas, such as parking decks, where waste water contains no sediment or debris and construction requires a shallow body. Large top area permits use where high flow is anticipated.

Free Area
 45 SQ IN
 (290) SQ CM



^Δ add 1/4" (6) when bronze top is specified.

Fig. 1416C CAULK OUTLET
 Fig. 1416Y NO-HUB OUTLET

recommended deck opening	
with suffix -R	17 (430) DIA
less Suffix -R	14 (355) DIA

A SIZE	02 (50)	03 (75)	04 (100)	05 (125)	06 (150)	08 (200)
B	5 (125) for Caulk, NO-HUB and Speedi-Set					7 3/4 (195)
	3 3/4 (95) for Threaded					

*This Dimension to Internal Stop of Speedi-Set Gasket.

REGULARLY FURNISHED:
 Duco Cast Iron Body, Flashing Collar and Heavy Duty ADA Tractor Grate.

- VARIATIONS:**
- Dome Grate -D
 - "L" Shaped Underdeck Clamp -CL
 - L Speedi-Set Service Weight
02(50), 03(75) & 04"(100) sizes only
 - LXH Speedi-Set Extra Heavy
02(50), 03(75) & 04"(100) sizes only
 - Square Top -S
 - Sump Receiver -R
 - Underdeck Clamp -C
 - Vandal Proof -U
 - T Threaded Outlet

- OPTIONAL MATERIALS:**
- Ductile Iron Grate -M
 - Galvanized Cast Iron -G
 - Galvanized Cast Iron Dome -CIDG
 - Nickel Bronze Top -NB
 - Polished Bronze Top -PB

NOTE: Floor drains or area drains used to drain areas subject to rainfall should have an open area equal to twice the cross sectional area of the connecting pipe.

DRAWING NUMBER
S1416

SIZE
A

SCALE:
NONE

DATE:
10-6-86

APPROVED BY:
JD

CHECKED BY:
VG

DRAWN BY:
WAS

1416

WE CAN ASSUME NO RESPONSIBILITY FOR USE OF SUPERSEDED OR VOID DATA

DIMENSIONS ARE SUBJECT TO MANUFACTURERS TOLERANCE AND CHANGE WITHOUT NOTICE

K	11/18/10	Added ADA to Tractor Grate	JJ	CL
J	2-2-01	Rev. Opt. Mat.	RN	
REV.	DATE	DESCRIPTION	BY	CKD. BY

WEIGHT POUNDS	VOLUME CUBIC FEET

FIGURE NUMBER 1416
