



SMITH® JAY R. SMITH MFG. CO.
 DIVISION OF SMITH INDUSTRIES, INC.
 POST OFFICE BOX 3237
 MONTGOMERY, ALABAMA 36109-0237 (USA)
 TEL: 334-277-8520 FAX: 334-272-7396 www.jrsmith.com



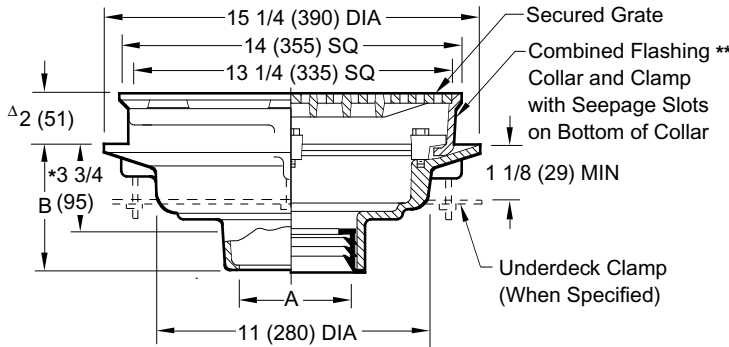
LOCATION

PROMENADE DECK DRAINS

LARGE - 14" (355) DECK DRAINS

FUNCTION: Used in flat roofs and decks which are designed as parking decks or promenades for recreational purposes. Body and accessories are compatible for installation in all types of roof construction. Large square top blends in with "block" patterns and has sufficient open free area for proper drainage.

Free Area
 50.25 SQ IN
 (324) SQ CM



- Fig. 1410C CAULK OUTLET
- Fig. 1410Y NO-HUB OUTLET

*This Dimension to Internal Stop of Speedi-Set Gasket.
 **Specify Suffix -W for Applications Requiring "Loose-Set" Pavers.

A Size	B	
	Caulk, NO-HUB, & Speedi-Set	Threaded
02(50),03(75),04(100),05(125),06(150)	5 (125)	3 3/4 (95)

recommended deck opening	
with suffix -R	17 (430) DIA
less Suffix -R	14 (355) DIA

NOTES: Specify Secondary Flashing Clamp when Drain is to be Flashed at Flange below insulation.

Floor drains or area drains used to drain areas subject to rainfall should have an open area equal to twice the cross sectional area of the connecting pipe.

REGULARLY FURNISHED:

Duco Cast Iron Body and
 Flashing Clamp with Seepage
 Openings and Secured Square
 Hole Heavy Duty Grate.

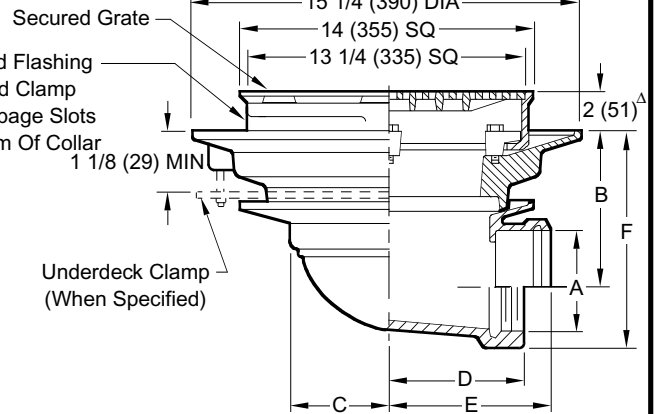
VARIATIONS:

- 3 3/4" (95) Deep Body (Fig. 1410 only)
- Ductile Iron Undergrate with Vandal Proof Polished Bronze Top Veneer (Specify Fig. 1412)
- Ductile Iron Undergrate with Vandal Proof Nickel Bronze Top Veneer (Specify Fig. 1412)
- Expansion Joint (Specify Fig. 1710)
- Extension -E (Specify Height)
- "L" Shaped Underdeck Clamp -CL
- L Speedi-Set Service Weight 02(50), 03(75) & 04"(100) sizes only (Fig. 1410 only)
- LXH Speedi-Set Extra Heavy 02(50), 03(75) & 04"(100) sizes only (Fig. 1410 only)
- NO-HUB Adaptor (Specify Fig. 2646Y) (Fig. 1420 only)
- Secondary Flashing Clamp -C2
- Sump Receiver -R
- Underdeck Clamp -C
- Vandal Proof Grate -U
- T Threaded Outlet

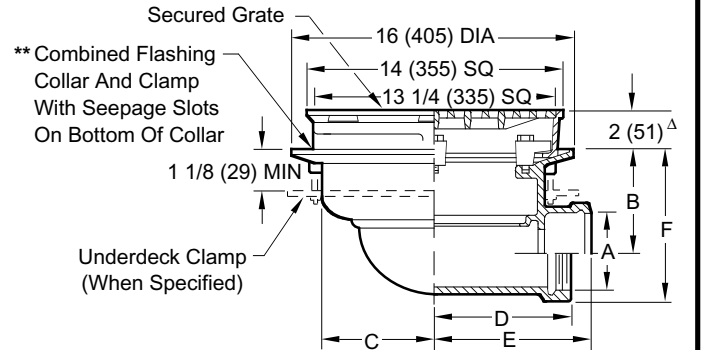
OPTIONAL MATERIALS:

- Ductile Iron Grate -M
- Galvanized Cast Iron -G
- Nickel Bronze Top -NB
- Polished Bronze Top -PB

NOTE: Dimensions shown in parentheses are in millimeters.



- Fig. 1420C 02(50), 03(75) & 04"(100) CAULK OUTLET
- Fig. 1420T 02(50), 03(75) & 04"(100) THREADED OUTLET



- Fig. 1420C 05(125) & 06"(150) CAULK OUTLET
- Fig. 1420T 05(125) & 06"(150) THREADED OUTLET

A SIZE	02 (50)	03 (75)	04 (100)	05 (125)	06 (150)
B	6 7/8 (175)	6 3/8 (162)	5 7/8 (149)	5 (125)	4 1/2 (115)
C	4 3/4 (120)	4 3/4 (120)	4 3/4 (120)	6 1/4 (160)	6 1/4 (160)
D	6 (150)	6 (150)	6 (150)	6 5/8 (168)	6 7/8 (175)
E	7 1/4 (185)	7 1/2 (190)	7 3/4 (195)	7 3/4 (195)	7 3/4 (195)
F	8 5/8 (219)	8 3/4 (220)	8 3/4 (220)	8 1/2 (215)	8 1/2 (215)

DRAWING NUMBER
 S1410

SIZE
 A

SCALE:
 NONE

DATE:
 3-1-85

APPROVED BY:
 TD

CHECKED BY:
 TD

DRAWN BY:
 WAS

1410, 1420

FIGURE NUMBER

WE CAN ASSUME NO RESPONSIBILITY FOR USE OF SUPERSEDED OR VOID DATA

T	2/2/01	Rev. Opt. Mat.	RN	
S	12/13/99	Submittal Update	JJ	
R	05/26/99	Rev. Submittal	CMD	BS
Q	06/13/95	Added Millimeters	EMB	BS
REV.	DATE	DESCRIPTION	BY	CKD. BY

WEIGHT POUNDS	VOLUME CUBIC FEET
------------------	----------------------

FIGURE NUMBER
1410, 1420