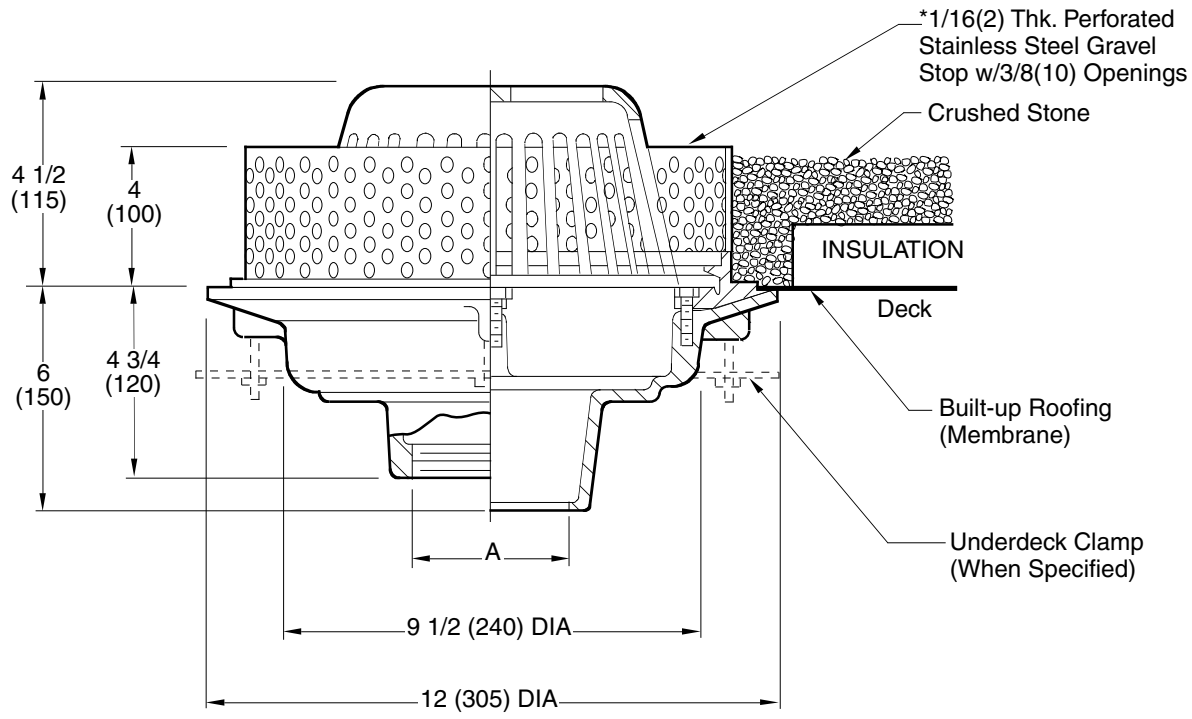


# ROOF DRAINS

## FOR INSULATED "BUILT-UP" MEMBRANE ROOFS



A (Pipe Size) = 02(50), 03(80), 04(100), 05(125) or 06(150)

- Fig. 1311C . . . . CAULK OUTLET
- Fig. 1311T . . . . THREADED OUTLET

recommended deck opening

with suffix -R	13(330) DIA
less suffix -R	11(280) DIA

\*Perforated stainless steel gravel stop can be deleted only if crushed stone is certified to be 3/4"(19) (average size) or larger.

**REGULARLY FURNISHED:**

Duco Cast Iron Body with Flashing Clamp, 1/16"(2) Thick, 4"(100) High Stainless Steel Perforated Gravel Stop with 3/8"(10) Dia. Openings and Polyethylene Dome.

**NOTE:** Dimensions shown in parentheses are in millimeters.

**VARIATIONS:**

- Expansion Joint (Specify Fig. 1710)
- Extension (Specify Height) -E
- Higher Gravel Stop -HGS (Specify Height)
- Y NO-HUB
- L Speedi-Set Service Weight 02(50), 03(80) & 04"(100) sizes only
- LXH Speedi-Set Extra Heavy 02(50), 03(80) & 04"(100) sizes only
- Sump Receiver -R
- Underdeck Clamp -C

**OPTIONAL MATERIALS:**

- Aluminum Dome -AD
- Cast Iron Dome -CID
- Galvanized Cast Iron -G
- Rough Bronze Dome -RBD

DRAWING NUMBER S1311  
SIZE A  
SCALE: NONE  
DATE: 2-1-82  
APPROVED BY: KG  
CHECKED BY: JM  
DRAWN BY: KG  
FIGURE NUMBER 1311

WE CAN ASSUME NO RESPONSIBILITY FOR USE OF SUPERSEDED OR VOID DATA  
DIMENSIONS ARE SUBJECT TO MANUFACTURERS TOLERANCE AND CHANGE WITHOUT NOTICE

D	5-9-96	Submittal Update	EMB	BS	WEIGHT	VOLUME	FIGURE NUMBER
C	1-6-88	Added -94 to Var	CMB	TD	POUNDS	CUBIC FEET	<b>1311</b>
B	4-4-82	Notes Clarified	BR	TD			
A	5-19-82	Revised and Redrawn	SH	CR			
REV.	DATE	DESCRIPTION	BY	CKD. BY			