

A



LOCATION

# GENERAL PURPOSE ROOF DRAIN

## 12" (305) DIAMETER - LOW PROFILE DOME - WITH DECK PLATE

**FUNCTION:** Used in flat roof of any construction where a small sized drain is required. Low profile dome protects the drain sump and connected piping from the intrusion of debris.

DRAWING NUMBER  
S1310-RDP

SIZE  
A

SCALE:  
NONE

DATE:  
11-03-2007

APPROVED BY:  
CR

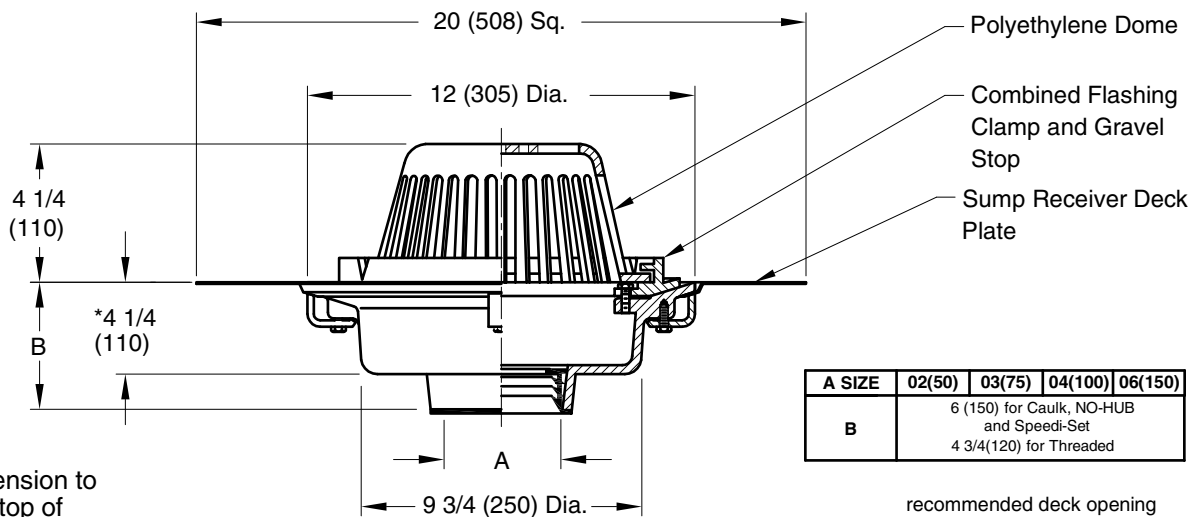
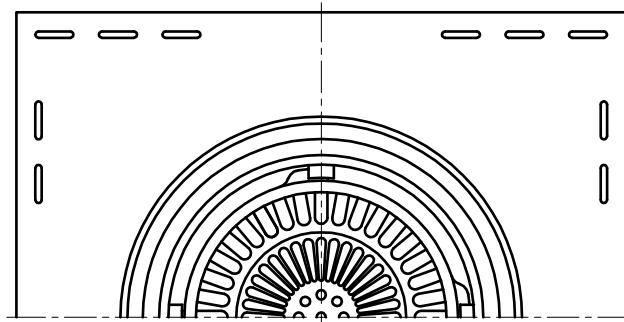
CHECKED BY:  
CR

DRAWN BY:  
CR

**1310-RDP**

DIMENSIONS ARE SUBJECT TO MANUFACTURERS TOLERANCE AND CHANGE WITHOUT NOTICE

Free Area  
71.5 SQ IN  
(461) SQ CM



\* This Dimension to Internal Stop of Speedi-Set Gasket.

A SIZE	02(50)	03(75)	04(100)	06(150)
B	6 (150) for Caulk, NO-HUB and Speedi-Set 4 3/4(120) for Threaded			

recommended deck opening	
with suffix -RDP	13(230) DIA
less suffix -RDP	11(280) DIA

- Fig. 1310C (-RDP). . . . . CAULK OUTLET
- Fig. 1310Y (-RDP). . . . . NO-HUB OUTLET

**REGULARLY FURNISHED:**

Duco Cast Iron body with Attached Deck Plate, Combined Flashing Clamp and Gravel Stop and Polyethylene Dome.

**VARIATIONS:**

- L \*\*Speedi-Set Service Weight Outlet (Fig. 1310 only)
- LXH \*\*Speedi-Set Extra Heavy Duty Outlet (Fig. 1310 only)
- T Threaded Outlet Conn.
- Side Outlet (Specify Fig. \*\*1320-RDP)
- Expansion Joint (Specify Fig. 1710 (Fig. 1310 only)
- Extension (Specify Height) -E
- Secondary Flashing Clamp -C2
- Vandal Proof Dome -U
- External Waterdam Collar -WD (Specify Height 2", 3", 4")

**OPTIONAL MATERIALS:**

- Aluminum Dome -AD
- Cast Iron Dome -CID
- Galvanized Cast Iron Dome -CIDG
- Galvanized Cast Iron Body & Collar -G
- Rough Bronze Dome -RBD

\*\*Available in 02(50), 03(75), and 04(100) Sizes Only

A	3-16-11	Revised Variations	TBW	BW
REV.	DATE	DESCRIPTION	BY	CKD. BY

WEIGHT POUNDS	VOLUME CUBIC FEET

**FIGURE NUMBER**  
**1310-RDP**