

LARGE SPECIAL PURPOSE ROOF DRAINS

RAINTROL® ROOF DRAIN SLOPED ROOF DESIGN

FUNCTION: Used to control the flow of rain water off a roof. Trapezoidal weirs limit the flow to the leaders. Adjustable to provide various flow rates as required.

Free Area
122 SQ IN
(787) SQ CM

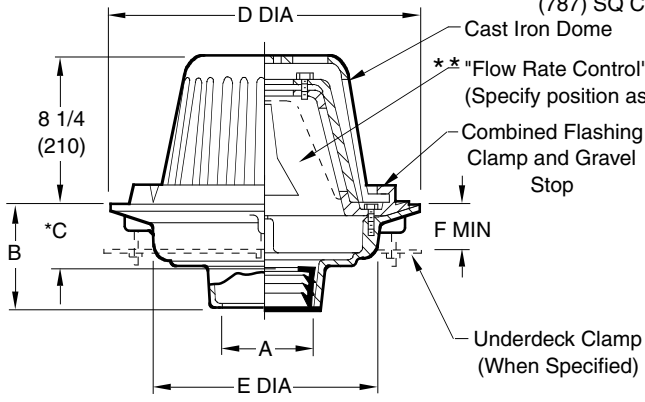


Fig. 1085C CAULK OUTLET
 Fig. 1085Y NO-HUB OUTLET

*This Dimension to Internal Stop of Speedi-Set Gasket.

recommended deck opening

outlet size	with suffix-R	less suffix-R
02(50),03(75),04(100)	17(430)	14(355)
05(125),06(150)	DIA	DIA

NOTE: Please call our main office or your local Representative if more information on selection, sizing and placement of our "Raintrol" roof drains is required.

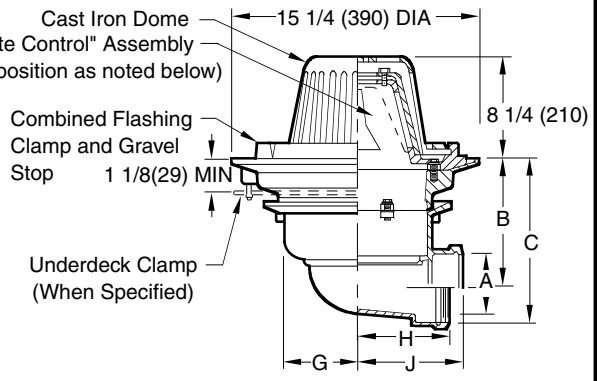


Fig. 1089C 02(50), 03(75) & 04"(100) CAULK OUTLET
 Fig. 1089T 02(50), 03(75) & 04"(100) THREADED OUTLET

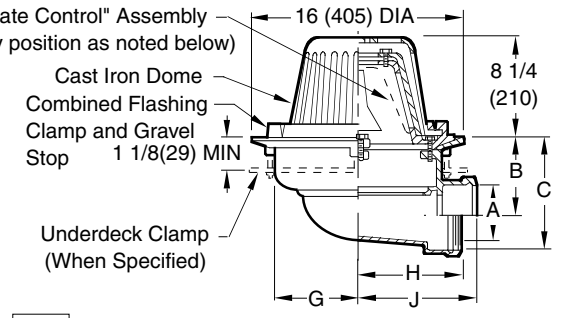


Fig. 1089C 05(125) & 06"(150) CAULK OUTLET
 Fig. 1089T 05(125) & 06"(150) THREADED OUTLET

A SIZE	B (BOTTOM OUTLET)						SIDE OUTLET		
	CAULK, NO-HUB, & SPEEDI-SET	THREADED	C	D DIA	E DIA	F MIN	G	H	J
02(50),03(75),04(100)	5(125)	3 3/4(95)	3 3/4(95)	15 1/4 (390)	11(280)	1 1/8(29)	4 3/4(120)	6(150)	7 3/4(195)
05(125),06(150)	5(125)	3 3/4(95)	3 3/4(95)	15 1/4(390)	11(280)	1 1/8(29)	6 1/4(160)	6 7/8(175)	7 3/4(195)

(SIDE OUTLET)

A SIZE	02(50)	03(75)	04(100)	05(125)	06(150)
B	6 7/8 (175)	6 3/8 (162)	5 7/8 (149)	5 (125)	4 1/2 (115)
C	8 5/8 (219)	8 3/4 (220)	8 3/4 (220)	8 1/2 (215)	8 1/2 (215)

REGULARLY FURNISHED:
 Duco Cast Iron Body with Combined Flashing Clamp and Gravel Stop with Adjustable "Flow Rate Control" Assembly and Cast Iron Dome.

- VARIATIONS:**
- Expansion Joint (Specify Fig. 1710) (Fig. 1085 only)
 - Extension -E (Specify Height)
 - "L" Shaped Underdeck Clamp -CL
 - L Speedi-Set Service Weight
 - 02(50), 03(75) & 04"(100) sizes only (Fig. 1085 only)
 - LXH Speedi-Set Extra Heavy
 - 02(50), 03(75) & 04"(100) sizes only (Fig. 1085 only)
 - NO-HUB Adaptor (Specify Fig. 2646Y) (Fig. 1089 only)
 - Non-Adjustable "Flow Rate Control" Assembly
 - Secondary Flashing Clamp -C2
 - Sump Receiver -R
 - Underdeck Clamp -C
 - Vandal Proof Dome -U
 - T Threaded Outlet

- OPTIONAL MATERIALS:**
- Aluminum Dome -AD
 - Galvanized Cast Iron Body & Collar -G
 - Galvanized Cast Iron Dome -CIDG
 - Rough Bronze Dome -RBD

NOTE: Dimensions shown in parentheses are in millimeters.

ALWAYS SPECIFY NUMBER OF WEIR OPENINGS

<input type="checkbox"/>	<input type="checkbox"/>	<input type="checkbox"/>	<input type="checkbox"/>
(-WR1)	(-WR2)	(-WR3)	(-WR4)

****NOTE:**
 (-WR1) 1 WEIR OPENING
 (-WR2) 2 WEIR OPENING
 (-WR3) 3 WEIR OPENING
 (-WR4) 4 WEIR OPENING

DRAWING NUMBER S1085
 SCALE: NONE
 DATE: 5-24-85
 APPROVED BY: TD
 CHECKED BY: TD
 DRAWN BY: PJ

WE CAN ASSUME NO RESPONSIBILITY FOR USE OF SUPERSEDED OR VOID DATA
 DIMENSIONS ARE SUBJECT TO MANUFACTURERS TOLERANCE AND CHANGE WITHOUT NOTICE

G	5-26-99	Rev. Opt. Mat.	CMD	BS
F	1-29-96	Added Millimeters	EMB	BS
E	7-11-94	Revised	EMB	BS
D	6-2-93	Submittal Update	EMB	BS
C	1-87	Revised Function	VGD	CR
REV.	DATE	DESCRIPTION	BY	CKD. BY

WEIGHT POUNDS	VOLUME CUBIC FEET
---------------	-------------------

FIGURE NUMBER
1085, 1089