

C

**SMITH® JAY R. SMITH MFG. CO.®**  
 DIVISION OF SMITH INDUSTRIES, INC.  
 POST OFFICE BOX 3237  
 MONTGOMERY, ALABAMA 36109-0237 (USA)  
 TEL: 334-277-8520 FAX: 334-272-7396 www.jrsmith.com



MEMBER OF:

LOCATION

DRAWING NUMBER  
S1080Y-16SIZE  
ASCALE:  
NONEDATE:  
2-24-95APPROVED BY:  
CHUCKCHECKED BY:  
JCSDRAWN BY:  
CMB

1080Y-16

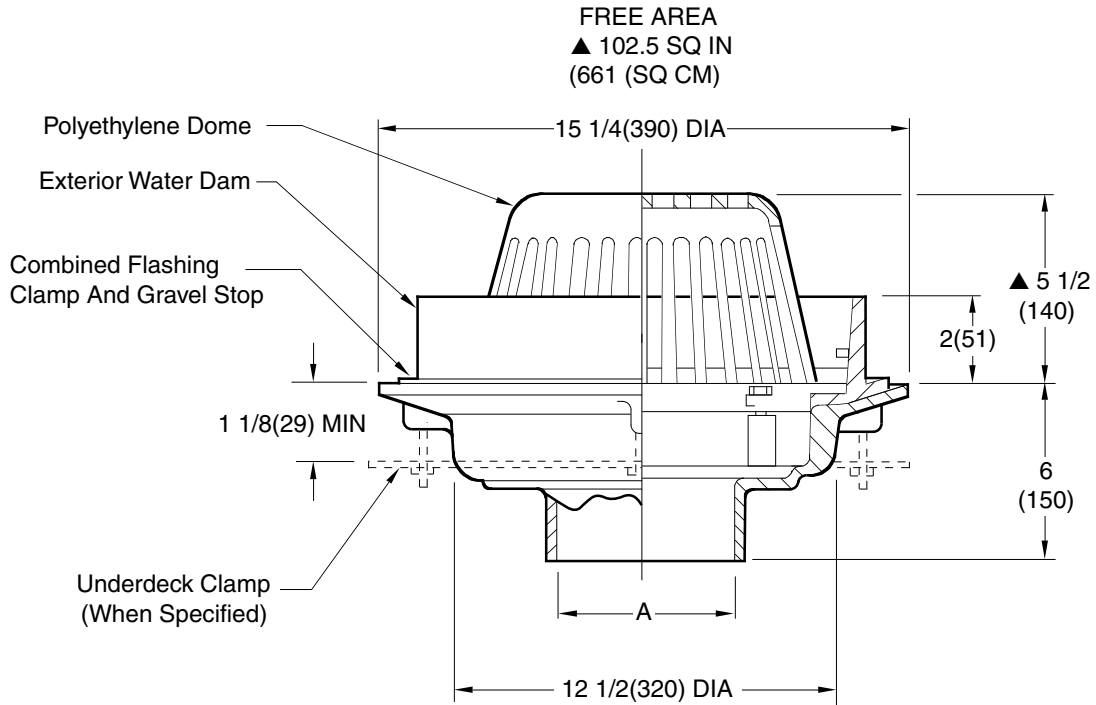
WE CAN ASSUME NO RESPONSIBILITY FOR USE OF SUPERSEDED OR VOID DATA

DIMENSIONS ARE SUBJECT TO MANUFACTURERS TOLERANCE AND CHANGE WITHOUT NOTICE

# SPECIAL PURPOSE ROOF DRAINS

## WATER DAM TYPE

**FUNCTION:** Used in flat roofs of any construction where a constant height of water is desired on the roof. It may also be used as an emergency overflow for conventional roofs, draining rain water when the depth of the water on the roof reaches the water dam height.



▲ When 10" (255) outlet is specified dome height becomes 8 1/4" (210) and free area 122.5 SQ IN (790 SQ CM) and is not available in polyethylene.

A (Pipe Size) = 08(200) or ▲10(255)

□ Fig. 1080Y-16 . . . . NO-HUB OUTLET

recommended deck opening	
with suffix -R	17 (430) DIA
less suffix -R	14 (355) DIA

### REGULARLY FURNISHED:

Duco Cast Iron Body, Flashing Clamp and Gravel Stop with Polyethylene Dome.

**NOTE:** Dimensions shown in parentheses are in millimeters

### VARIATIONS:

- Expansion Joint (Specify Fig. 1710)
- Extension (Specify Height) -E
- "L" Shaped Underdeck Clamp -CL
- Secondary Flashing Clamp -C2
- Sump Receiver -R
- Underdeck Clamp -C
- Vandal Proof Dome -U
- T Threaded Outlet

### OPTIONAL MATERIALS:

- ▲▲ Aluminum Dome -AD
- ▲▲ Cast Iron Dome -CID
- Galvanized Cast Iron -G
- ▲▲ Rough Bronze Dome -RBD

▲▲ Optional domes' free area for the 8" outlet are as follows:  
 Aluminum 98 (632)  
 Cast Iron 80 (516)  
 Bronze 95 (613)

REV.	DATE	DESCRIPTION	BY	CKD. BY
C	06/04/09	Added Optional Dome Notes	JJ	CL
B	6-18-08	Added Free Area & Note	RN	CL
A	5-19-95	Added millimeters	CMB	BS

WEIGHT POUNDS	VOLUME CUBIC FEET

**FIGURE NUMBER**  
**1080Y-16**