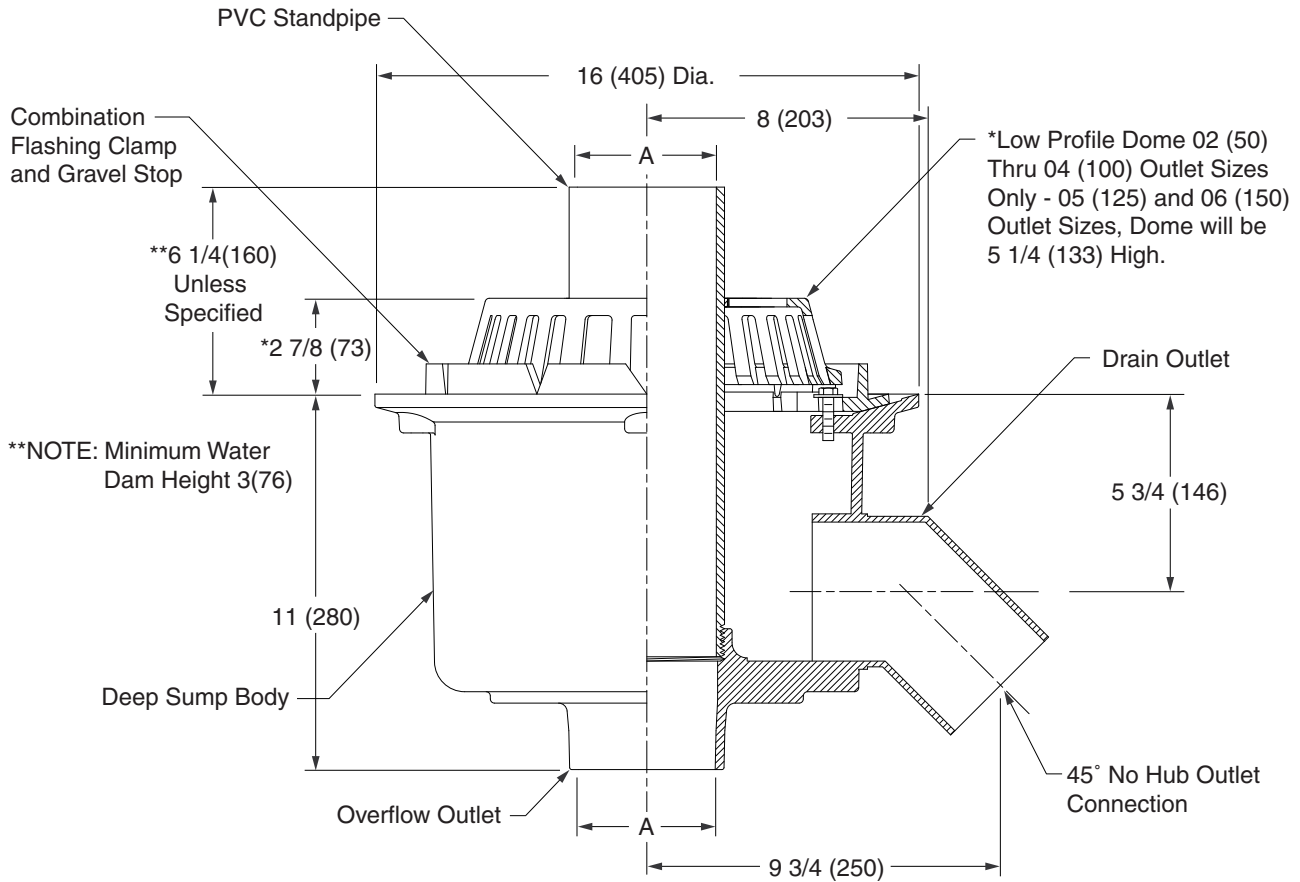


DEEP SUMP ROOF DRAIN WITH DUAL OUTLET

LOW PROFILE DOME AND 45° OUTLET



**NOTE: Minimum Water Dam Height 3(76)

*Low Profile Dome 02 (50) Thru 04 (100) Outlet Sizes Only - 05 (125) and 06 (150) Outlet Sizes, Dome will be 5 1/4 (133) High.

A (Pipe Size) = 02, 03, 04

Fig. 1077Y (-45).....No-Hub Outlet

Recommended Deck Opening
 with suffix -RDP 17 (430) Dia.
 less suffix -RDP 15 (381) Dia.
 Deck must also be notched for 45° Outlet

REGULARLY FURNISHED:
 Duco Coated Cast Iron Body with 45° Side Outlet Drain Connection and Bottom Outlet Overflow Connection with Standpipe Type Overflow, Combined Flashing Clamp and Gravel Stop and Low Profile Cast Iron Dome.

- VARIATIONS:**
- Vandal Proof Dome -U
 - Top Mount Deck Plate -RDP
 - Overflow Pipe Dome Extension -E
 - 4" Gravel Guard -GG
 - Cast Iron Standpipe -CIS
 - Stainless Steel Gravel Stop

- OPTIONAL MATERIALS:**
- Polyethylene (5 1/4" High) Dome
 - Rough Bronze Dome -RB
 - Stainless Steel Mesh Covered Dome -SSM
 - Galvanized Cast Iron -G

NOTE: Dimensions shown in Parentheses are in millimeters.

DRAWING NUMBER S1077-45
 SIZE A
 SCALE: NONE
 DATE: 1/9/09
 APPROVED BY: AM
 CHECKED BY: AM
 DRAWN BY: RN
 FIGURE NUMBER 1077-45

WE CAN ASSUME NO RESPONSIBILITY FOR USE OF SUPERSEDED OR VOID DATA
 DIMENSIONS ARE SUBJECT TO MANUFACTURERS TOLERANCE AND CHANGE WITHOUT NOTICE

REV.	DATE	DESCRIPTION	BY	CKD. BY
A	1-13-09	Revised **Specify & Pipe Size	RN	AL

WEIGHT POUNDS	VOLUME CUBIC FEET

FIGURE NUMBER
1077-45