

WE CAN ASSUME NO RESPONSIBILITY FOR USE OF SUPERSEDED OR VOID DATA

DIMENSIONS ARE SUBJECT TO MANUFACTURERS TOLERANCE AND CHANGE WITHOUT NOTICE

DEEP SUMP ROOF DRAIN WITH DUAL OUTLET

LOW PROFILE DOME

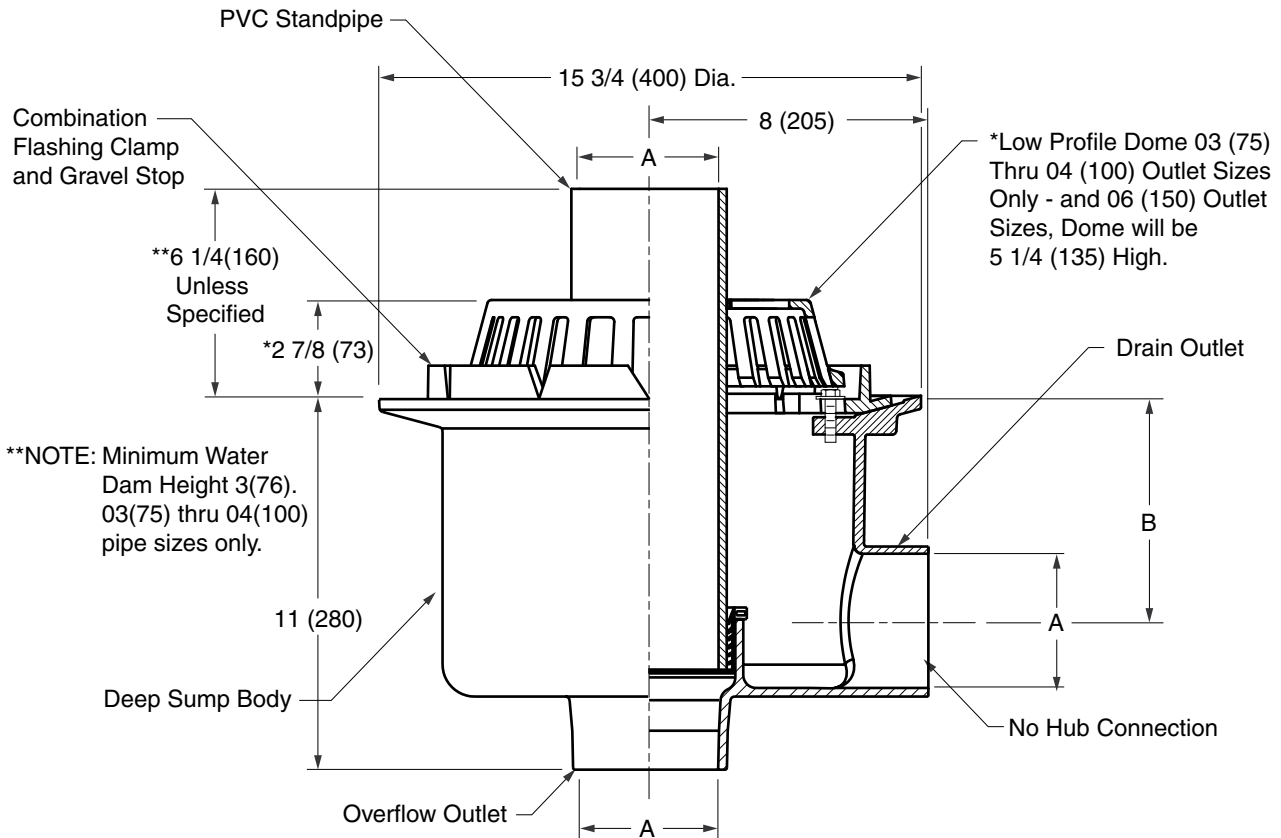


Fig. 1077Y.....No-Hub Outlet

▲NOTE: Illustration shown is applicable for 4" (100) and 6" (150) outlet sizes only. The 3" (75) outlet size will differ slightly in geometrical shape and dimensional exactness.

A	B
Pipe Size	
03 (75)	See ▲Note
04 (100)	6.42 (163)
06 (150)	5.46 (139)

Recommended Deck Opening	
with suffix -RDP	17 (430) Dia.
less suffix -RDP	15 (381) Dia.

REGULARLY FURNISHED:

Duco Coated Cast Iron Body with Side Outlet Drain Connection and Bottom Outlet Overflow Connection with Standpipe Type Overflow, Combined Flashing Clamp and Gravel Stop and Low Profile Cast Iron Dome.

VARIATIONS:

- Vandal Proof Dome -U
- Top Mount Deck Plate -RDP
- Extension -E
- Gravel Guard -GG (Specify Height)
- Cast Iron Standpipe -CIS
- Overflow Pipe Dome
- Sump Receiver -R
- Under Deck Clamp -C

OPTIONAL MATERIALS:

- Polyethylene (5 1/4" (135) High) Dome
- Rough Bronze Dome -RB
- Stainless Steel Mesh
- Covered Dome -SSM
- Galvanized Cast Iron -G

NOTE: Dimensions shown in Parentheses are in millimeters.

REV.	DATE	DESCRIPTION	BY	CKD. BY
E D C	02/09/10 10-29-09 9-17-09	Added Dimension Table Add Millimeters Revised Drawing	JJ RN RN	AM AM AL

WEIGHT POUNDS	VOLUME CUBIC FEET	FIGURE NUMBER
		1077