

K



JAY R. SMITH MFG. CO.
 DIVISION OF SMITH INDUSTRIES, INC.
 POST OFFICE BOX 3237
 MONTGOMERY, ALABAMA 36109-0237 (USA)
 TEL: 334-277-8520 FAX: 334-272-7396 www.jrsmith.com



LOCATION

WATER DAM TYPE ROOF DRAIN

WITH ADJUSTABLE OVERFLOW AND PROTECTIVE DOME

FUNCTION: Used where water has to be retained on roof for it's insulating effect. Dome acts as overflow and protects drain sump and leader from debris intrusion.

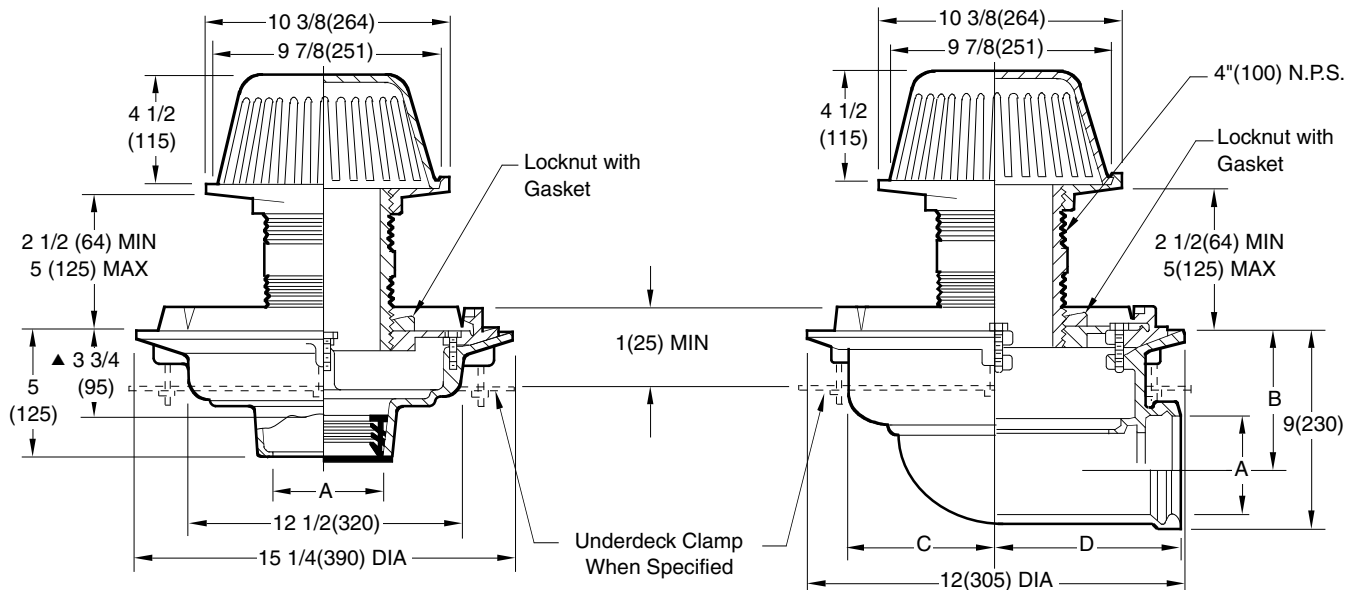


Fig. 1072CCAULK OUTLET
 Fig. 1072YNO-HUB OUTLET

Fig. 1075TTHREADED OUTLET

A (Pipe Size) =02(50),03(75) or 04(100)

NOTE:

02(50), 03(75) & 04(100) sizes requires a transition collar (not shown in above illustration) which fits between the body & collar.

▲ This Dimension to Internal Stop of Speedi-set Gasket.

NOTE: Dimensions shown in parentheses are in millimeters.

A	2(50)	3(75)	4(100)
B	6 7/8(175)	6 3/8(162)	5 7/8(149)
C	4 3/4(120)	4 3/4(120)	4 3/4(120)
D	6(150)	6(150)	6(150)

REGULARLY FURNISHED:

All Duco Cast Iron.

VARIATIONS:

- Extension (Specify Height) -E
- Secondary Flashing Clamp -C2
- Underdeck Clamp -C
- Sump Receiver -R

OPTIONAL MATERIALS:

- All Galvanized -G
- Bronze Dome -RBD
- Aluminum Dome -AD

1072,1075

DIMENSIONS ARE SUBJECT TO MANUFACTURERS TOLERANCE AND CHANGE WITHOUT NOTICE

DRAWING NUMBER
S1072,1075

SIZE
A

SCALE:
NONE

DATE:
5-17-66

APPROVED BY:
BS

CHECKED BY:
BS

DRAWN BY:
WN

FIGURE NUMBER

K	5-19-08	Revised table, note	TBW	CL	WEIGHT POUNDS	VOLUME CUBIC FEET	FIGURE NUMBER 1072, 1075
J	11-2-07	Added To Materials & Variations	RN	CL			
H	5-18-95	Added millimeters & Added Variations	CMB	BS			
G	5-1-91	Add Dim	EMB				
REV.	DATE	DESCRIPTION	BY	CKD. BY			