



JAY R. SMITH MFG. CO.®
 DIVISION OF SMITH INDUSTRIES, INC.
 POST OFFICE BOX 3237
 MONTGOMERY, ALABAMA 36109-0237 (USA)
 TEL: 334-277-8520 FAX: 334-272-7396 www.jrsmith.com



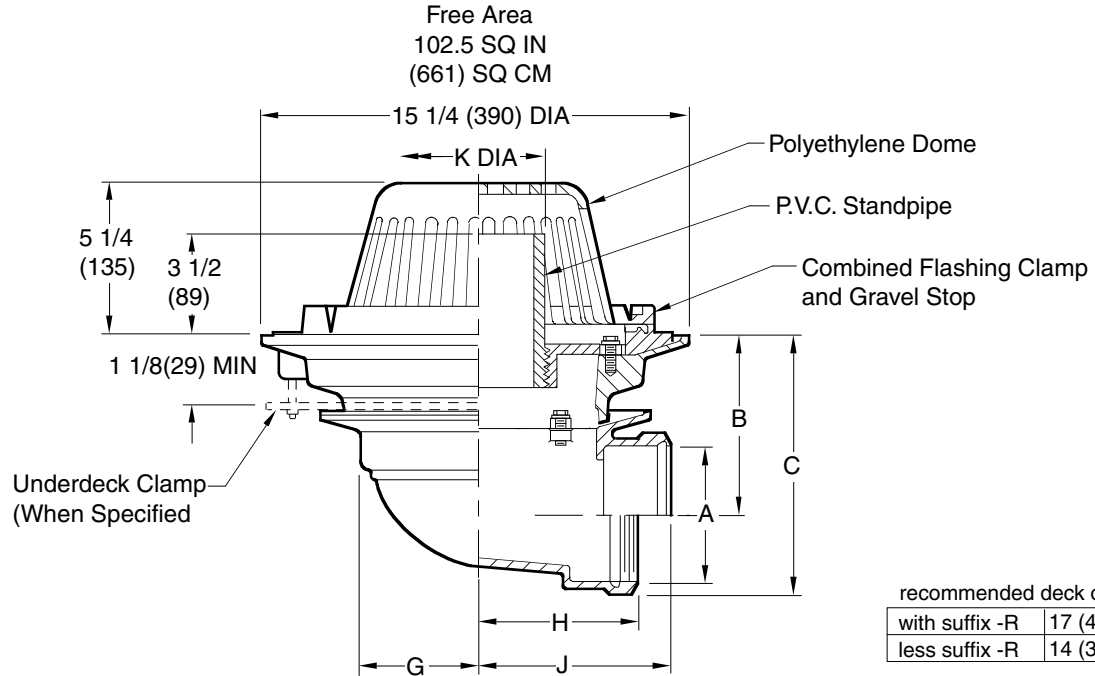
MEMBER OF:

LOCATION

SPECIAL PURPOSE ROOF DRAINS

OVERFLOW STANDPIPE TYPE

FUNCTION: Used in flat roofs of any construction where a constant height of water is desired on the roof. It is also used on conventional roofs as a safety overflow, which receives water only when the build-up is greater than the setting of the standpipe. Standpipe type water dam can be cut to achieve various water depths on the roof.



recommended deck opening	
with suffix -R	17 (430) DIA
less suffix -R	14 (355) DIA

Fig. 1070-CSO ... CAULK SIDE OUTLET
 Fig. 1070-TSO ... THREADED SIDE OUTLET

A SIZE	SIDE OUTLET			FREE AREA SQ IN (SQ CM)
	G	H	J	
02(50), 03(80), 04 (100)	4 3/4 (120)	6 (150)	7 3/4 (195)	102.5 (661)
05(125) 06(150)	6 1/4 (160)	6 7/8 (175)	7 3/4 (195)	102.5 (661)

A SIZE	02(50)	03(80)	04(100)	05(125)	06(150)
B	6 7/8 (175)	6 3/8 (162)	5 7/8 (149)	5 (125)	4 1/2 (115)
C	8 5/8 (219)	8 3/4 (220)	8 3/4 (220)	8 1/2 (215)	8 1/2 (215)
K	4 (100)	4 (100)	4 (100)	6 (150)	6 (150)

REGULARLY FURNISHED:
 Duco Cast Iron Body, Flashing
 Clamp and Gravel Stop with
 Polyethylene Done, and
 P.V.C. Standpipe.

NOTE: Dimensions shown in
 parentheses are in millimeters.

VARIATIONS:

- Expansion Joint (Specify Fig. 1710)
- Extension (Specify Height) -E
 - E02 2" (51)
 - E04 4" (100)
 - E06 6" (150)
- "L" Shaped Underdeck Clamp -CL
- Secondary Flashing Clamp -C2
- Sump Receiver -R
- Underdeck Clamp =C
- Vandal Proof Dome -U
- T Threaded Outlet

OPTIONAL MATERIALS:

- ▲ Aluminum Dome -AD
 - Bronze Standpipe -BZS
 - ▲ Cast Iron Dome -CID
 - Cast Iron Standpipe -CIS
 - Galvanized Cast Iron -G
 - ▲ Rough Bronze Dome -RBD
- ▲ **Optional domes' free area are as follows:**
 Aluminum 98 (632)
 Cast Iron 80 (516)
 Bronze 95 (613)

DRAWING NUMBER S1070-SO
 SIZE A
 SCALE: NONE
 DATE: 10-27-97
 APPROVED BY: TD
 CHECKED BY: TD
 DRAWN BY: CR
 1070-SO
 DIMENSIONS ARE SUBJECT TO MANUFACTURERS TOLERANCE AND CHANGE WITHOUT NOTICE
 WE CAN ASSUME NO RESPONSIBILITY FOR USE OF SUPERSEDED OR VOID DATA

REV.	DATE	DESCRIPTION	BY	CKD. BY	WEIGHT POUNDS	VOLUME CUBIC FEET
B A	06/04/09 3-26-07	Added Optional Dome Notes Revised Table	JJ TBW	CL TWK		

FIGURE NUMBER
1070-SO