

A
 DRAWING NUMBER S1045-WF
 SIZE A
 SCALE: NONE
 DATE: 1-15-03
 APPROVED BY: AL
 CHECKED BY: AM
 DRAWN BY: RN
 FIGURE NUMBER 1045-WF

SMITH® JAY R. SMITH MFG. CO.
 DIVISION OF SMITH INDUSTRIES, INC.
 POST OFFICE BOX 3237
 MONTGOMERY, ALABAMA 36109-0237 (USA)
 TEL: 334-277-8520 FAX: 334-272-7396 www.jrsmith.com

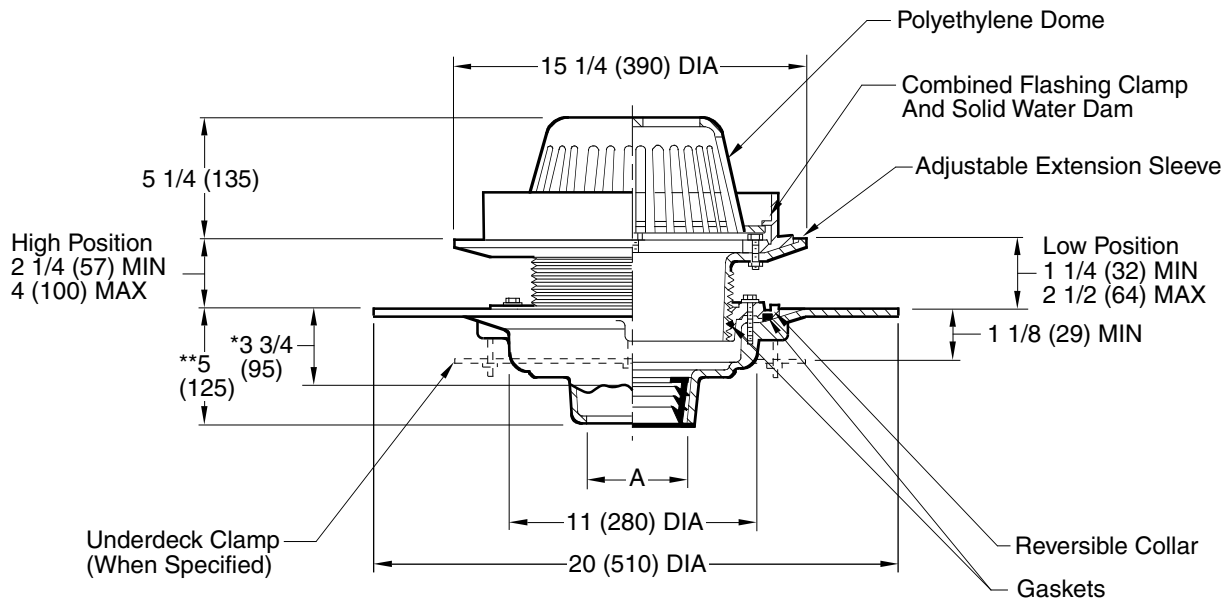


LOCATION

SPECIAL PURPOSE ROOF DRAIN

WATER DAM TYPE

FUNCTION: Used in flat roofs of any construction where a constant height of water is desired on the roof. It may also be used as an emergency overflow for conventional roofs, draining down rain water when the depth of the water on the roof reaches the water dam height.



A (Pipe Size) = 02(50), 03(75), 04(100), 05(125), 06(150) or 08(200)

- Fig. 1045C CAULK OUTLET
- Fig. 1045Y NO-HUB OUTLET

*This dimension to internal stop of Speedi-Set Gasket
 **Same for Caulk, NO-HUB and Speedi-Set, 3 3/4 (95) for Threaded
NOTE: Dimensions shown in parentheses are in millimeters.

recommended deck opening	
with suffix -R	17 (430) DIA
less suffix -R	14 (355) DIA

REGULARLY FURNISHED:

Duco Cast Iron Body with Wide Flang And Adjustable Extension Sleeve, Reversible Collar, Combined Flashing Clamp and Water Dam and Polyethylene Dome.

VARIATIONS:

- 2 1/2(64), 3(76) or 4"(100) Water Dams Available -WD
- Expansion Joint (Specify Fig. 1710)
- "L" Shaped Underdeck Clamp -CL
- L Speedi-Set Service Weight 02(50), 03(75) & 04"(100) sizes only
- LXH Speedi-Set Extra Heavy 02(50), 03(75) & 04"(100) sizes only
- Removable Water Dam
- Secondary Flashing Clamp -C2
- Sump Receiver -R
- Underdeck Clamp -C
- T Threaded Outlet

OPTIONAL MATERIALS:

- Aluminum Dome -AD
- Cast Iron Dome -CID
- Galvanized Cast Iron Body & Collar -G
- Galvanized Cast Iron Dome -CIDG
- Rough Bronze Dome -RBD

A	6-5-06	Revised Dim.	TBW	AM
REV.	DATE	DESCRIPTION	BY	CKD. BY

WEIGHT POUNDS
 VOLUME CUBIC FEET

FIGURE NUMBER
1045-WF

WE CAN ASSUME NO RESPONSIBILITY FOR USE OF SUPERSEDED OR VOID DATA