

H



JAY R. SMITH MFG. CO.
 DIVISION OF SMITH INDUSTRIES, INC.
 POST OFFICE BOX 3237
 MONTGOMERY, ALABAMA 36109-0237 (USA)
 TEL: 334-277-8520 FAX: 334-272-7396 www.jrsmith.com



MEMBER OF:

LOCATION

DRAWING NUMBER
S1025

SIZE
A

SCALE:
NONE

DATE:
10-30-86

APPROVED BY:
JD

CHECKED BY:
CR

DRAWN BY:
CMB

1025

FIGURE NUMBER

WE CAN ASSUME NO RESPONSIBILITY FOR USE OF SUPERSEDED OR VOID DATA

DIMENSIONS ARE SUBJECT TO MANUFACTURERS TOLERANCE AND CHANGE WITHOUT NOTICE

GENERAL PURPOSE ROOF DRAINS

ROOF DRAIN WITH ADJUSTABLE EXTENSION

FUNCTION: Used in flat roofs of any construction. The adjustable extension sleeve permits adjustment from a minimum of 1 1/4"(32) to a maximum of 4 "(100) easily accommodating up to 2 3/4"(70) of varying insulation thicknesses. The positive threading allows smooth perimeter movement and circumferential support of the top at any adjusted elevation. Large low profile dome provides sufficient free area for quick drainage of rainwater and protection against debris.

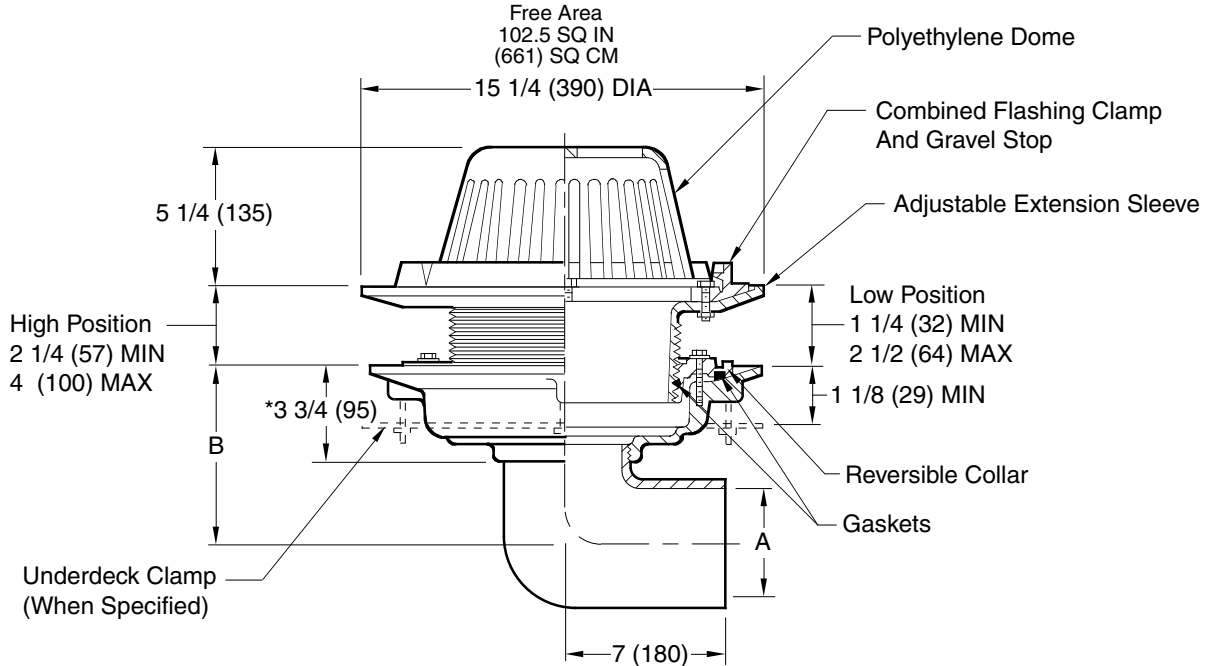


Fig 1025S . . . SPIGOT OUTLET

recommended deck opening

with suffix -R	17 (430) DIA
less suffix -R	14 (355) DIA

A SIZE	02(50)	03(75)	04(100)	05(125)	06(150)
B	5 1/2(140)	6(150)	6 1/4(160)	7(180)	7 1/2(190)

NOTE: Dimensions shown in parentheses are in millimeters.

REGULARLY FURNISHED:

Duco Cast Iron Body with Side Outlet Elbow, Adjustable Extension Sleeve, Reversible Collar, Combined Flashing Clamp and Gravel Stop, with Polyethylene Dome.

VARIATIONS:

- "L" Shaped Underdeck Clamp -CL
- Secondary Flashing Clamp -C2
- Sump Receiver -R
- Underdeck Clamp -C
- Vandal Proof Dome -U

OPTIONAL MATERIALS:

- Aluminum Dome -AD
- Cast Iron Dome -CID
- Galvanized Cast Iron Body and Collar -G
- Galvanized Cast Iron Dome -CIDG
- Rough Bronze Dome -RBD

REV.	DATE	DESCRIPTION	BY	CKD. BY	WEIGHT POUNDS	VOLUME CUBIC FEET	FIGURE NUMBER
							1025