



JAY R. SMITH MFG. CO.
 DIVISION OF SMITH INDUSTRIES, INC.
 POST OFFICE BOX 3237
 MONTGOMERY, ALABAMA 36109-0237 (USA)
 TEL: 334-277-8520 FAX: 334-272-7396 www.jrsmith.com



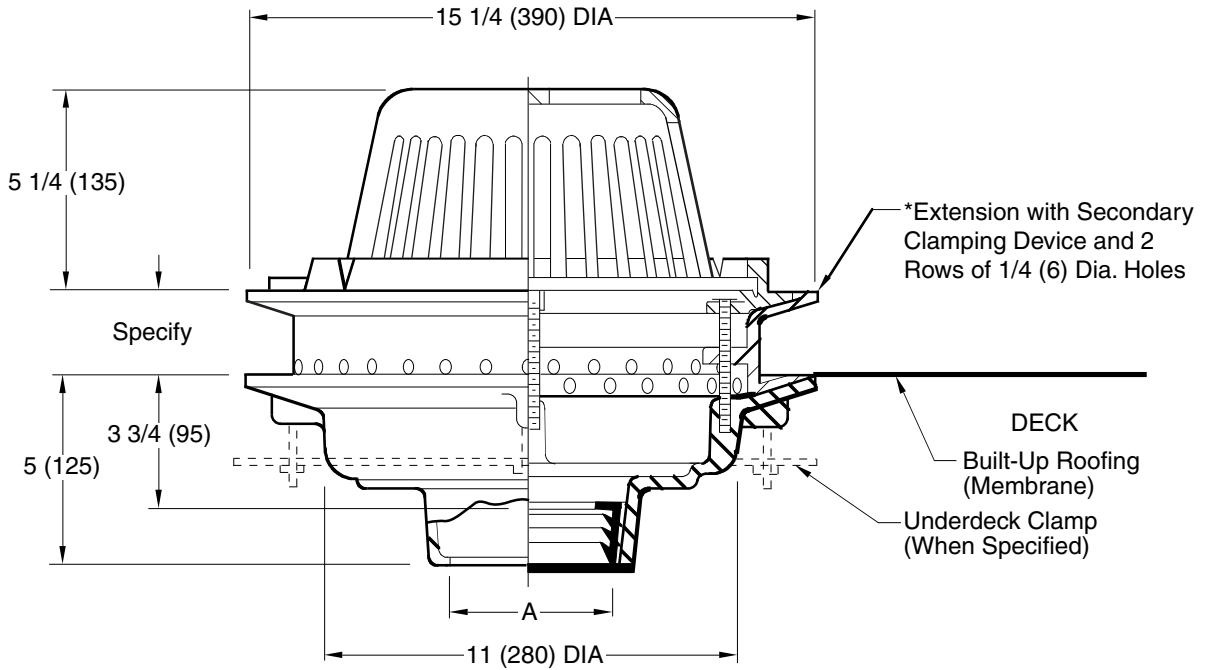
MEMBER OF:



LOCATION

ROOF DRAINS

FOR INSULATED "BUILT-UP" MEMBRANE ROOFS



A (Pipe Size) = 02 (50), 03 (75), 04 (100), 05 (125) or 06 (150)

- Fig. 1010C (-E-W) CAULK OUTLET
- Fig. 1010Y (-E-W) NO-HUB OUTLET

recommended deck opening	
with suffix -R	17 (430) DIA
less suffix -R	14 (355) DIA

*Ext. thru 4" (100) size will be C.I.,
 over 4" (100) will be fabricated
 stainless steel. (C.I. ext. shown)

REGULARLY FURNISHED:

Duco Cast Iron Body, Extension with Secondary Clamping Device and 2 Rows of 1/4 (6) Dia. Holes, Combined Flashing Clamp and Gravel Stop and Polyethylene Dome.

VARIATIONS:

- Vandal Proof Dome -U
- Sump Receiver -R
- Underdeck Clamp -C
- T Threaded Outlet

VARIATIONS:

- ▲ Bronze Dome -RBD
- ▲ Cast Iron Dome -CID
- Galvanized Cast Iron -G
- ▲ Aluminum Dome -AD

▲ Optional domes' free area are as follows:

Aluminum	98 (632)
Cast Iron	80 (516)
Bronze	95 (613)

NOTE: Dimensions shown in parentheses are in millimeters.

DRAWING NUMBER
S1010 (-E-W)

SIZE
A

SCALE:
NONE

DATE:
02/12/08

APPROVED BY:
CL

CHECKED BY:
CL

DRAWN BY:
JJ

1010 (-E-W)

WE CAN ASSUME NO RESPONSIBILITY FOR USE OF SUPERSEDED OR VOID DATA

DIMENSIONS ARE SUBJECT TO MANUFACTURERS TOLERANCE AND CHANGE WITHOUT NOTICE

A	06/01/09	Added Optional Dome Notes	JJ	CL
REV.	DATE	DESCRIPTION	BY	CKD. BY

WEIGHT POUNDS	VOLUME CUBIC FEET

FIGURE NUMBER
1010 (-E-W)