

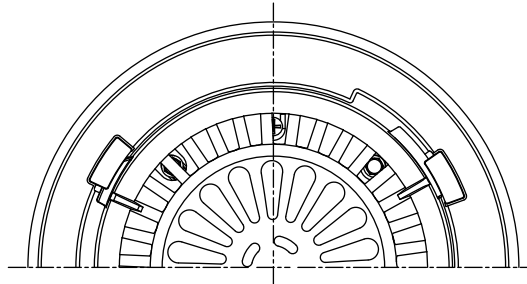
# SIPHONIC ROOF DRAIN

## 15 1/4"(390) DIAMETER - LOW PROFILE DOME

**FUNCTION:** For use in engineered siphonic roof drainage system. May be used in flat roof of any construction. Large low profile dome provides sufficient free area for quick drainage of rain water and protects the drain sump, baffle and connected piping from the intrusion of debris. Internal air baffle creates siphonic drainage action producing more efficient drainage than traditional roof drains.

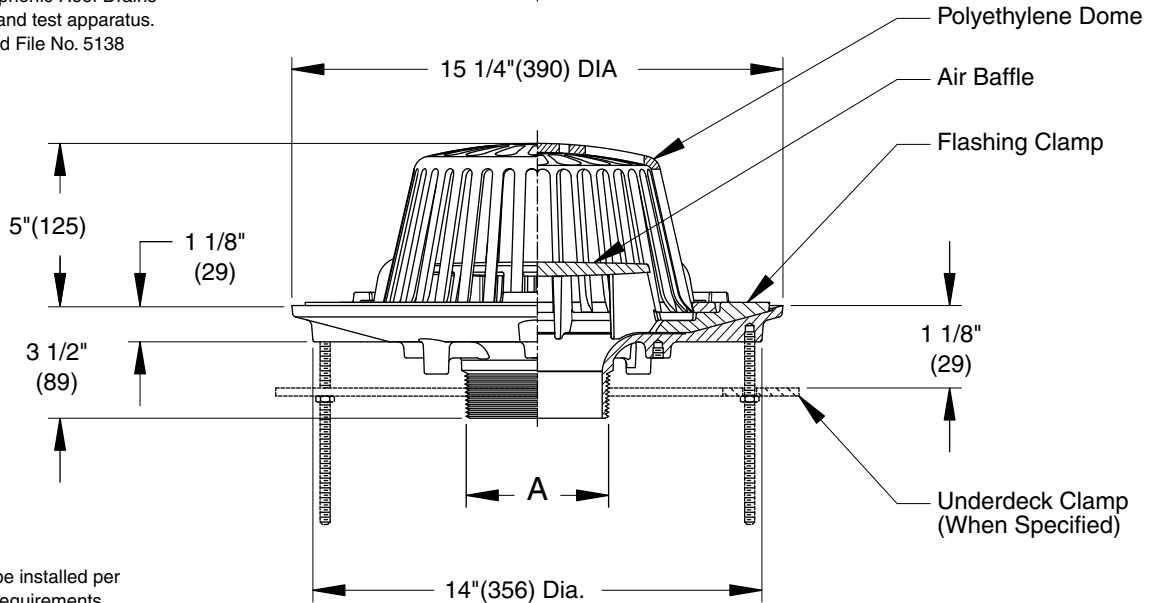
**Performance Data		
A(Pipe Size) in. (mm)	Max. Capacity cfs (lps)	Resistance Value, K
02 (50)	0.50 (41.2)	0.13
0250 (64)	0.60 (17.0)	0.13
03 (75)	1.40 (39.5)	0.16
04 (100)	1.70 (48.1)	0.23

\*\*As tested and certified by ANSI/ASME  
 A112.6.9 "Siphonic Roof Drains"  
 Procedures and test apparatus.  
 IAPMO Listed File No. 5138



**Free Area**  
 102.5 Sq. In.  
 (661) Sq. Cm.

▲ **Optional domes' free area are as follows:**  
 Aluminum 98 (632)  
 Cast Iron 80 (516)  
 Bronze 95 (613)



**NOTES:**

1. Drain shall be installed per local code requirements
- \*2 1/2" pipe size only available with male threaded outlet.
3. Dimensions shown in parentheses are in millimeters.

A(Pipe Size) = 02(50), \*0250(64), 03(75) or 04(100)

- Fig. 1005T ..... MALE THREADED OUTLET
- Fig. 1005Y ..... \*NO HUB OUTLET

recommended deck opening

with suffix -R	17 (430) DIA
less suffix -R	14 (355) DIA

**REGULARLY FURNISHED:**

Duco Cast Iron Body, Flashing Clamp, Air Baffle and Polyethylene Dome.

**VARIATIONS:**

- Sump Receiver -R
- Underdeck Clamp -C
- Underdeck Clamp for 10" Deck Opening -C10
- "L" Shaped Underdeck Clamp -CL
- Vandal Proof Dome -U

**OPTIONAL MATERIALS:**

- ▲ Aluminum Dome -AD
- ▲ Cast Iron Dome -CID
- ▲ Galvanized Cast Iron Dome -CIDG
- ▲ Galvanized Cast Iron -G
- ▲ Rough Bronze Dome -RBD

DRAWING NUMBER S1005  
 SIZE A  
 SCALE: NONE  
 DATE: 4-14-06  
 APPROVED BY: CR  
 CHECKED BY: CR  
 DRAWN BY: RN  
 FIGURE NUMBER 1005  
 DIMENSIONS ARE SUBJECT TO MANUFACTURERS TOLERANCE AND CHANGE WITHOUT NOTICE

WE CAN ASSUME NO RESPONSIBILITY FOR USE OF SUPERSEDED OR VOID DATA

<b>C</b>	06/01/09	Added Optional Dome Notes	JJ	CL	WEIGHT POUNDS	VOLUME CUBIC FEET	FIGURE NUMBER <b>1005</b>
<b>B</b>	5-21-07	Added Notes	RN	CL			
<b>A</b>	5-10-06	Added Notes	TBW	CL			
REV.	DATE	DESCRIPTION	BY	CKD. BY			