



**JAY R. SMITH MFG. CO.**  
 DIVISION OF SMITH INDUSTRIES, INC.  
 POST OFFICE BOX 3237  
 MONTGOMERY, ALABAMA 36109-0237 (USA)  
 TEL: 334-277-8520 FAX: 334-272-7396 www.jrsmith.com



MEMBER OF:

LOCATION

# RAINWATER FILTER COLLECTOR FOR A ROOF AREA UP TO 2,000 SQUARE FEET

## STANDPIPE DOWNSPOUT FILTER COLLECTOR FOR BELOW GRADE APPLICATION

**FUNCTION:** Connects to a single vertical rainwater downspout and can filter up to a 2000 square foot roof area for irrigation, car washing or other non-potables uses. Filter can be partially buried. The standpipe downspout filter collector is installed in the vertical rainwater downspout piping partly below grade to remove debris to the storm water system and divert 90% of the clean rainwater to an underground storage tank. The filter operates as a first flush device.

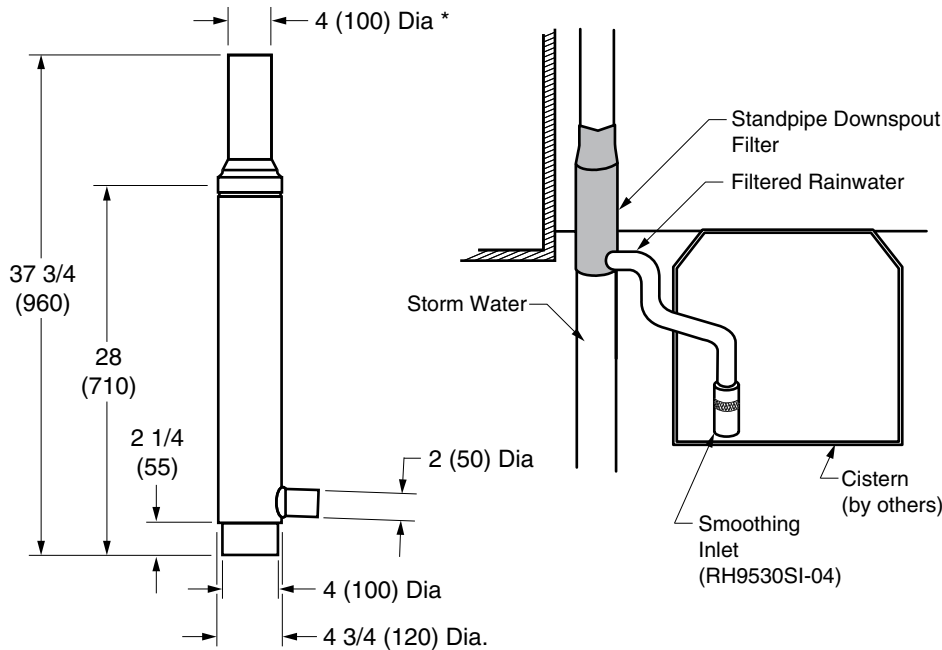


Fig. RH9511-04....4" NO-HUB OUTLET (WISY SF0304)

\* Sized to accept Downspout Converter and 4" S & D Pipe

**REGULARLY FURNISHED:**

- Stainless Steel Filter (RH9511-04), 280 micron
- Stainless Steel Fine Mesh Filter (RH9511F) and Downspout Converter Kit (specify):
- 2" x 3" Downspout Kit (RH9510DK3)
- 3" x 4" Downspout Kit (RH9510DK4)

**ACCESSORIES:**

- Blind Insert (RH9510BI)  
Used in place of the mesh filter to divert flow directly to the storm water system. Stainless Steel.
- 1" Flexible Hose with 2" Connection for Downspout Filter (RH9510TH)
- Downspout Clip with Screw and Wall Plug (RH9510SC)  
For securing the filter unit to a wall.

**NOTES:** Filter Collector must be mounted plumb for proper operation. A 90° elbow or optional 1" flexible hose (with 2" connection) must be installed directly on the 2" outlet to assure proper filtration. A coarse mesh filter (RH9510C) is available for areas prone to excessive particulate matter in the air, such as dust or pollen. For a roof area above 2000 square feet, additional standpipe downspout filter collectors should be added.

**NOTE:** Dimensions shown in parentheses are in millimeters.

DRAWING NUMBER  
SRH9511-04

SIZE  
A

SCALE:  
NONE

DATE:  
05/31/07

APPROVED BY:  
TWK

CHECKED BY:  
TWK

DRAWN BY:  
JJ

**RH9511-04**

FIGURE NUMBER

WE CAN ASSUME NO RESPONSIBILITY FOR USE OF SUPERSEDED OR VOID DATA

DIMENSIONS ARE SUBJECT TO MANUFACTURERS TOLERANCE AND CHANGE WITHOUT NOTICE

D	3/18/10	Revised Smoothing Inlet	RN	TK	WEIGHT POUNDS	VOLUME CUBIC FEET	FIGURE NUMBER <b>RH9511-04</b>
C	3/12/10	Revised Reg. Furnished	RN	TK			
B	02/02/09	Added Text	JJ	TWK			
A	03/07/30	Added Text	JJ	TWK			
REV.	DATE	DESCRIPTION	BY	CKD. BY			



**JAY R. SMITH MFG. CO.**  
 DIVISION OF SMITH INDUSTRIES, INC.  
 POST OFFICE BOX 3237  
 MONTGOMERY, ALABAMA 36109-0237 (USA)  
 TEL: 334-277-8520 FAX: 334-272-7396 www.jrsmith.com



LOCATION

# RAINWATER FILTER COLLECTOR FOR A ROOF AREA UP TO 2,000 SQUARE FEET

## STANDPIPE DOWNSPOUT FILTER COLLECTOR FOR ABOVE OR BELOW GRADE APPLICATION

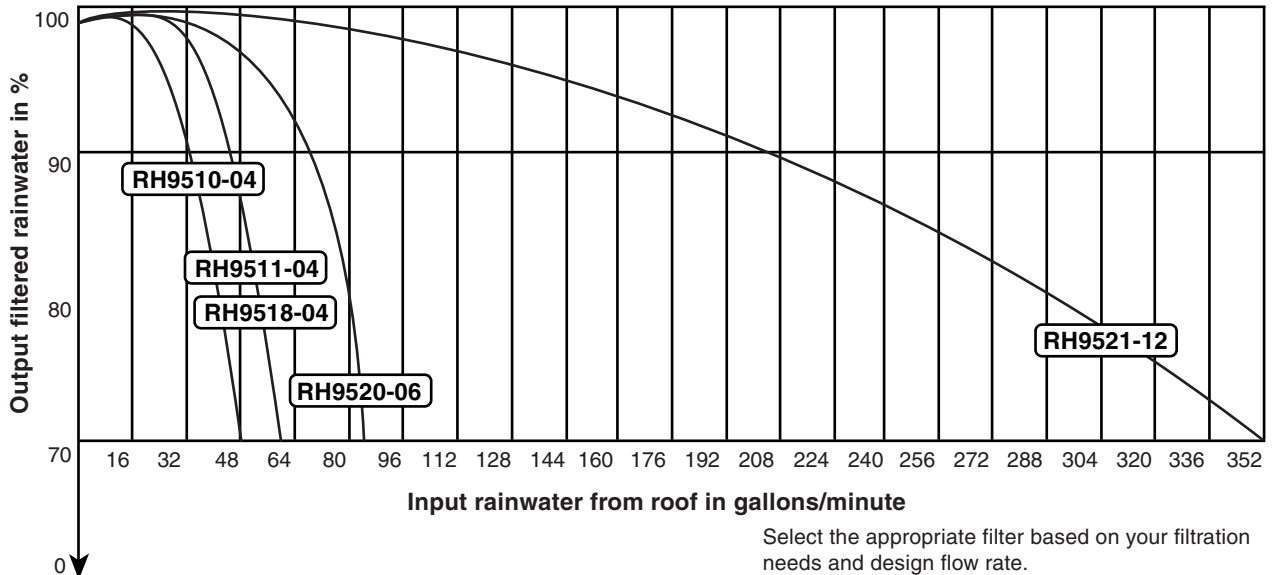
Principles of the WISY Filter Collector – RH9511-04 (WISY SF0304)

The Filter Collector filters and collects rainwater over the entire rain event. When dry, the filter acts as a first flush device during the first 20 seconds of rainfall. It also helps aerate the rainwater.

The filter has a self-cleaning effect. Depending on the amount of rainfall and debris filtered, the stainless steel fine mesh filter should be cleaned about 1 to 4 times a year in a dishwasher or by hand. The circulating air within the main housing of the Filter Collector dries the stainless steel fine mesh filter thus lowering the demand for more frequent maintenance.

To safeguard against backflow the top of the upper housing needs to be installed more than 10 inches above grade.

### Efficiency Ratio and Performance Chart



Select the appropriate filter based on your filtration needs and design flow rate.

Our filters efficiently recover the rainwater for various flow rates, i.e. for 90% filtered water you can select\*:

- RH9510-04 for up to 32 gallons/minute flow rate
- RH9511-04 for up to 42 gallons/minute flow rate
- RH9518-04 for up to 42 gallons/minute flow rate
- RH9520-06 for up to 65 gallons/minute flow rate
- RH9521-12 for up to 208 gallons/minute flow rate

\*Efficiency ratio tested with brand new filters



A product of WISY AG in cooperation with RMS.

DRAWING NUMBER  
 SRH9511-04BS

SIZE  
 A

SCALE:  
 NONE

DATE:  
 10/18/07

APPROVED BY:  
 TWK

CHECKED BY:  
 TWK

DRAWN BY:  
 JJ

FIGURE NUMBER  
**RH9511-04BS**

WE CAN ASSUME NO RESPONSIBILITY FOR USE OF SUPERSEDED OR VOID DATA

DIMENSIONS ARE SUBJECT TO MANUFACTURERS TOLERANCE AND CHANGE WITHOUT NOTICE

REV.	DATE	DESCRIPTION	BY	CKD. BY	WEIGHT POUNDS	VOLUME CUBIC FEET	FIGURE NUMBER
A	02/24/09	Revised Table	JJ	TK			<b>RH9511-04BS</b>