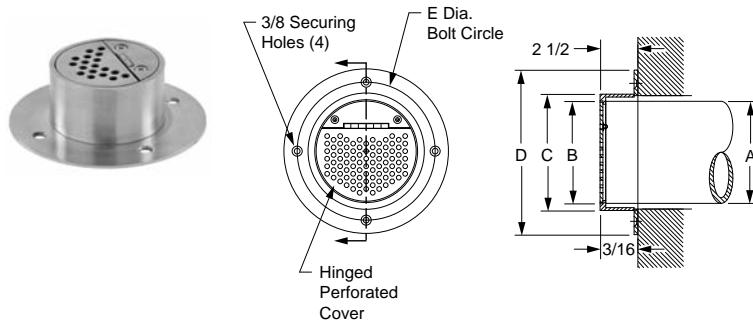


ROOF DRAINS

FIG. 1775 SPECIAL PURPOSE DOWNSPOUT COVER W/HINGED PERFORATED COVER

FUNCTION: Used as a downspout cover on a wall where an overflow roof drain concealed leader discharges rainwater to the ground.



OPTIONS:

-U Vandal Proof **ADD 93.00**

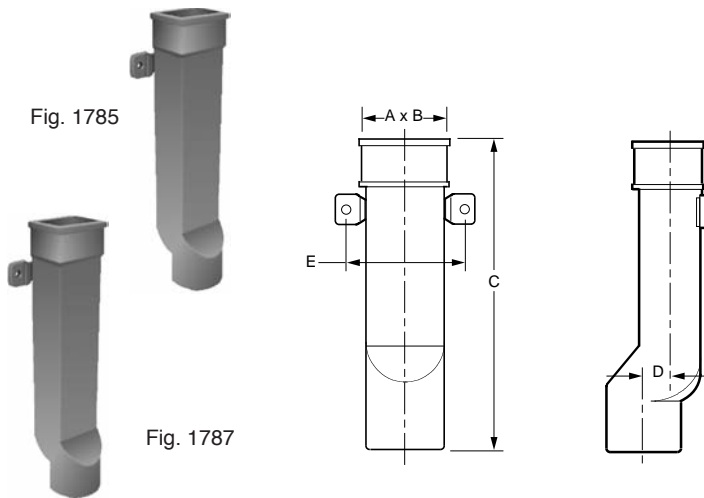
Fig. 1775

A PIPE SIZE	B DIA	C DIA	D DIA	E DIA	†SS	CP	PB
0150	3 1/2"	4 1/2"	7 11/16"	6"	1,771.00	2,085.00	1,949.00
02	3 1/2"	4 1/2"	7 11/16"	6"	1,771.00	2,085.00	1,949.00
03	3 1/2"	4 1/2"	7 11/16"	6"	1,771.00	2,085.00	1,949.00
04	4 9/16"	5 9/16"	8 3/4"	7 1/8"	1,771.00	2,085.00	1,949.00
05	5 5/8"	6 5/8"	9 13/16"	8 1/4"	1,870.00	2,184.00	2,057.00
06	6 11/16"	7 11/16"	10 7/8"	9"	1,870.00	2,184.00	2,057.00
08	8 11/16"	9 11/16"	12 7/8"	11 1/4"	1,961.00	2,275.00	2,157.00
10	10 13/16"	11 13/16"	15"	13 1/2"	2,075.00	2,389.00	2,282.00
12	12 13/16"	13 13/16"	17"	15 1/2"	2,201.00	2,515.00	2,421.00
15	16"	16 15/16"	20 1/8"	18 1/2"	2,325.00	2,639.00	2,558.00

REGULARLY FURNISHED: Fabricated Type 304 Stainless Steel Downspout Cover with Hinged Perforated Cover.

FIG. 1785, 1786, 1787 ROOF ACCESSORY - DOWNSPOUT BOOTS

FUNCTION: Used as a transition piece for connecting sheet metal exposed downspout to underground cast iron soil piping. Sturdy cast iron construction provides the necessary protection of the lower part of the exposed downspout from damage.



OPTIONS:

-G Galvanized Cast Iron 1785 **ADD 319.00**
 -G Galvanized Cast Iron 1786, 1787 **591.00**

FIG. NO.	A X B SIZE	C LENGTH	D	E	†CAST IRON	APPROX. WEIGHT LBS
1785-12	04 X 03" RECT.	12"	1 1/2"	6 5/8"	383.00	16
1785-18	04 X 03" RECT.	18"	1 1/2"	6 5/8"	502.00	22
1785-24	04 X 03" RECT.	24"	1 1/2"	6 5/8"	895.00	28
1786-24	05 X 04" RECT.	24"	1"	7 5/8"	800.00	37
1787-18	04" ROUND	18"	1"	6 1/8"	554.00	26

REGULARLY FURNISHED: Cast Iron Body and Strap with 5/16" Dia. Cast Holes for Flat Head Bolts, Typical. All Shapes Unpainted.