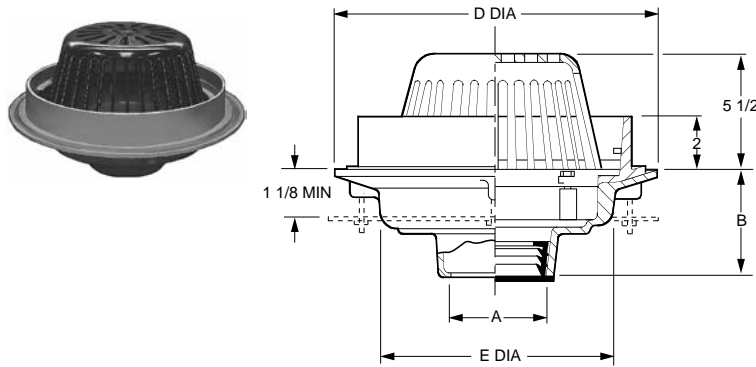


ROOF DRAINS



FIG. 1080 SPECIAL PURPOSE ROOF DRAINS WATER DAM TYPE

FUNCTION: Used in flat roofs of any construction where a constant height of water is desired on the roof. It may also be used as an emergency overflow for conventional roofs, draining rain water when the depth of the water on the roof reaches the water dam height.



A OUTLET SIZE	D FLANGE DIA.	E DIA.	FREE AREA SQ IN	†DUCO CI POLY DOME	DUCO CI W/ ALUM DOME	APPROX. WEIGHT LBS
02, 03, 04"	15 1/4"	11"	102.5	570.00	719.00	62
05, 06"	15 1/4"	11"	102.5	753.00	902.00	79
08"	16"	12 1/2"	102.5	938.00	1,087.00	112

A OUTLET SIZE	D FLANGE DIA.	E DIA.	FREE AREA SQ IN	**†DUCO CI CI DOME	DUCO CI W/ ALUM DOME	APPROX. WEIGHT LBS
08"	20"	16"	228	1,554.00	1,910.00	118
10"	20"	16"	228	1,672.00	2,028.00	118

**Add 218.00 for Galvanized Cast Iron Dome.

REGULARLY FURNISHED: Duco Cast Iron Body, Flashing Clamp and Gravel Stop with Dome and Cast Iron Water Dam.

OUTLET VARIATIONS (Specify type of outlet and pipe size in inches.)

Outlet Type	Outlet Designation Outlet Type/Pipe Size	"B" Body HT. DIM.	ADD
Inside Caulk	C02, C03, C04, C05, C06	5"	N/C
	C08	*6"	N/C
	C10	7 3/4"	N/C
Speedi-Set SW	L02, L03, L04	5"	N/C
Speedi-Set XH	LXH02, LXH03, LXH04	5"	N/C
Threaded	T02, T03, T04, T05, T06	3 3/4"	47.00
	T08	*5"	47.00
	T10	7 3/4"	47.00
No-Hub	Y02, Y03, Y04, Y05, Y06	5"	N/C
	Y08	*6"	N/C
	Y10	7 3/4"	N/C

*This dimension is for 16" dia. flange size body. For 20" flange size body dimension is 7 3/4"

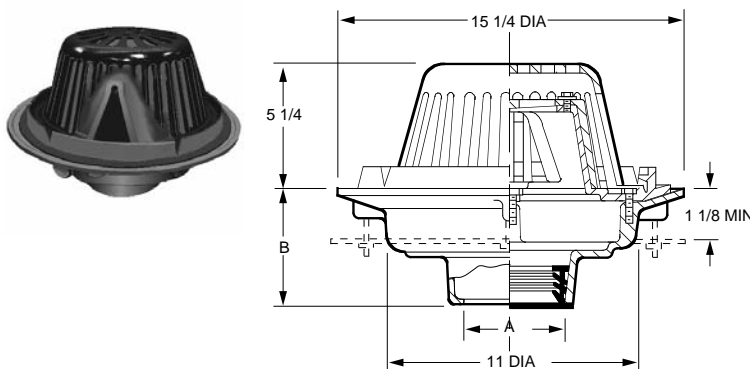
OPTIONS:

OPTION	ADD
-AE Adjustable Extension	431.00
-C Aluminum Underdeck Clamp (15 & 16" Flange Bodies)	146.00
-C Aluminum Underdeck Clamp (20" Flange Bodies)	292.00
-C2 Secondary Flashing Clamp	112.00
-CID CI Dome (when not reg. furn.)	128.00
-CIDG Cast Iron Dome with Galvanizing	346.00
-CL Angular Underdeck Clamp	296.00
-DE Deck Elevator Extension	627.00
-DX Wide Flange	801.00
-E Extension up to 4"	402.00
per inch over 4"	95.00
-G Galvanized Cast Iron	582.00
-PDSSM SS Mesh on Poly Dome	305.00
-R Sump Receiver (15 & 16" Flange Bodies)	164.00
-R Sump Receiver (20" Flange Bodies)	327.00
-RBD Rough Bronze Dome	504.00
-RDP Roof Deck Plate (15 & 16" Flange Bodies)	264.00
-RDP Roof Deck Plate (20" Flange Bodies)	469.00
-SSM SS Mesh on Metal Dome	305.00
-U Vandal Proof Dome	75.00
-WD Water Dam, 2 1/2, 3, 4"	227.00

ROOF DRAINS

FIG. 1083 RAINTROL® ROOF DRAINS

FUNCTION: Used to control the flow of rain water off a roof. Trapezoidal weirs limit the flow to the leader. Adjustable to provide various flow rates as required.



A OUTLET SIZE	FLANGE DIA.	FREE AREA SQ IN	†DUCO CI POLY DOME	APPROX. WEIGHT LBS
02, 03, 04"	15 1/4"	102.5	1,146.00	64
05, 06"	15 1/4"	102.5	1,329.00	68

REGULARLY FURNISHED: Duco Cast Iron Body with Combined Flashing Clamp and Gravel Stop with Adjustable "Flow Rate Control" Assembly and Cast Iron Dome.

OUTLET VARIATIONS (Specify type of outlet and pipe size in inches.)

Outlet Type	Outlet Designation Outlet Type/Pipe Size	"B" Body HT. DIM.	ADD
Inside Caulk	C02, C03, C04, C05, C06	5"	N/C
Speedi-Set SW	L02, L03, L04	5"	N/C
Speedi-Set XH	LXH02, LXH03, LXH04	5"	N/C
Threaded	T02, T03, T04, T05, T06	3 3/4"	47.00
No-Hub	Y02, Y03, Y04, Y05, Y06	5"	N/C

OPTIONS:

OPTION	ADD
-AD Aluminum Dome	149.00
-C Aluminum Underdeck Clamp	146.00
-C2 Secondary Flashing Clamp	112.00
-CID CI Dome	128.00
-CIDG Cast Iron Dome with Galvanizing)	346.00
-CID8 8" High CI Dome	279.00
-CL Angular Underdeck Clamp	296.00
-DE Deck Elevator Extension	627.00
-E Extension up to 4"	402.00
per inch over 4"	95.00
-G Galvanized Cast Iron	582.00
-PDSSM SS Mesh on Poly Dome	305.00
-R Sump Receiver	164.00
-RBD Rough Bronze Dome	504.00
-RDP Roof Deck Plate	264.00
-U Vandal Proof Dome	75.00
-WR Multiple Weir Openings**	N/C

**Specify Number of Weir Openings

†REGULARLY FURNISHED