

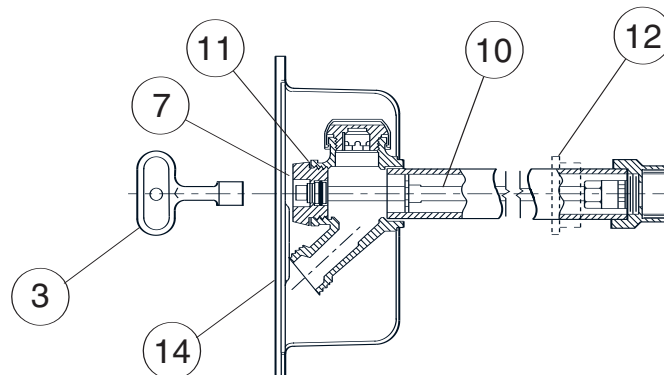


Jay R. Smith Mfg. Co.
Wholesaler's
Parts Order Number Guide

5509QT
Cat Pg 5-07

PART	DESCRIPTION	ITEM NUMBER
3	Hydrant Key	5609QT-PART03
7	Face Nut	5609QT-PART07
	Cover Assy f/SS Box (Incl Lk Dev)	5509QTCASS
	Cover Assy f/NB Box (Incl Lk Dev)	5509QTCANB
	Cover Assy f/PB Box (Incl Lk Dev)	5509QTCAPB
10	Operator Rod for Short as Possible	73790-80-40-014
10	Operator Rod for 4" Wall	73790-80-40-044
10	Operator Rod for 6" Wall	73790-80-40-064
10	Operator Rod for 8" Wall	73790-80-40-084
10	Operator Rod for 10" Wall	73790-80-40-104
10	Operator Rod for 12" Wall	73790-80-40-124
10	Operator Rod for 14" Wall	73790-80-40-144
10	Operator Rod for 16" Wall	73790-80-40-164
10	Operator Rod for 18" Wall	73790-80-40-184
11	Face Nut Washer	5609QT-PART11
*	Face Nut Wrench	5500FNW
12	Wall Clamp	5609QT-WC
	Repair Kit for Vacuum Breaker	HPRK-7VB

14	SS Box w/Hinged Locking Cover	5509QTBASS
14	SS Box w/Hinged Locking Cvr w/NB Face	5509QTBANB
14	SS Box w/Hinged Locking Cvr w/PB Face	5509QTBAPB
14	SS Box w/Hinged Locking Cvr w/RB Face	5509QTBARB
14	SS Box w/Hinged Locking Cvr w/CP Face	5509QTBACP
	Repair Kit f/5509QT	HPRK-7



5519
Cat Pg 5-07

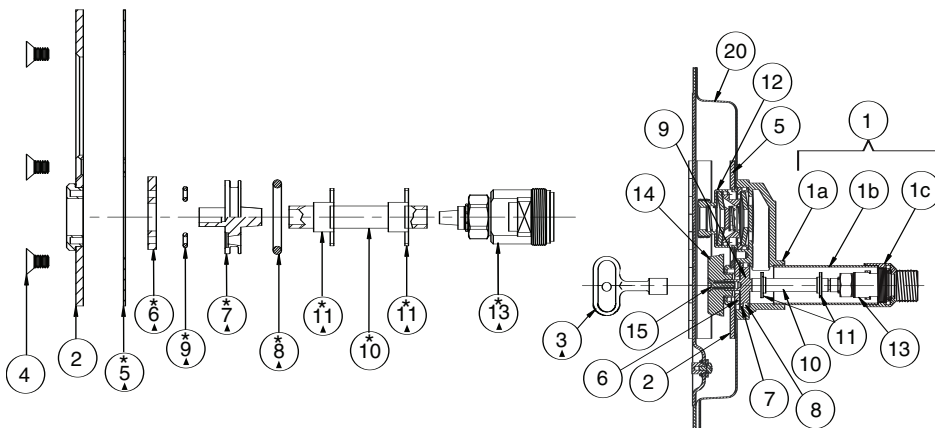
Jay R. Smith Mfg. Co.
Wholesaler's
Parts Order Number Guide



PART	DESCRIPTION	ITEM NUMBER
2	Wall Plate and Deflector Assembly	5619-PART02
3	Hydrant Key	5619-PART03
4	Wall Plate Securing Screws, ea (3 reqd)	5619-PART04
5	Wall Plate Gasket	5619-PART05
6	Stationary Operator Piece	5619-PART06
7	Moveable Operator Piece	5619-PART07
8	Moveable Operator O-Ring	5619-PART08
9	Drain Hole Seal, ea (2 reqd)	5619-PART09
10	Operator Rod (Specify Wall Thickness)	
11	Operator Rod Guides, ea (2 reqd)	5619-PART11
12*	Vacuum Breaker/Dual Check Valve Assy	5619-PART12
13*	Actuator Cartridge Assembly	5619-PART13
14, 15	Wheel Handle (with Screw)	5619WH
15	Wheel Handle Screw Only	76055-80-6
	Repair Kit for Vac Brkr	HPRK-19VBNP

20	Stainless Steel Box Assembly	5519BASS
20	Nickel Bronze Box Assembly	5519BANB
20	Polished Bronze Box Assembly	5519BAPB
20	Chrome Plated Box Assembly	5519BACP
	Repair Kit f/Hydrant	HPRK-19

*Available Only as an Assembly



Parts in HPRK-19

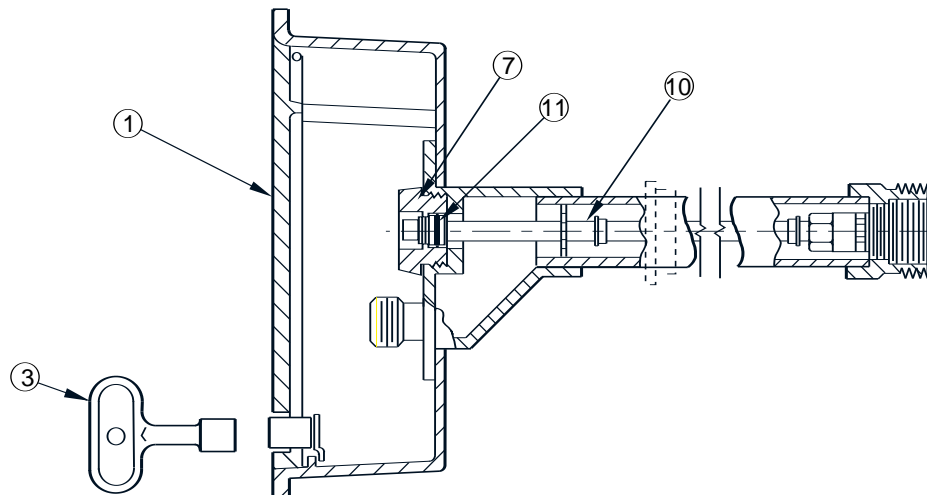


**Jay R. Smith Mfg. Co.
Wholesaler's
Parts Order Number Guide**

**5560QT, 5561QT
Cat Pg 5-08**

PART	DESCRIPTION	ITEM NUMBER
	Bronze Box w/Chrome Plated Face	5560BACP
	Rough Bronze Box w/Cover	5560BARB
	Polished Bronze Box w/Cover	5560BAPB
	Nickel Bronze Box w/Cover	5560BANB
	Cast Iron Box w/Cover	5560BACI
	Cover Assembly, Chrome Plated	5560CACP
	Cover Assembly, Rough Nickel	5560CARN
	Cover Assembly, Rough Bronze	5560CARB
3	Part 3 Key	5560-PART03
7	Part 7 Face Nut (2 reqd) ea	5560-PART07
10	Operator Rod, Short as Poss, ea (2 reqd)	73790-80-40-014
10	Operator Rod, for 8" Wall, ea (2 reqd)	73790-80-40-084
10	Operator Rod, for 10" Wall, ea (2 reqd)	73790-80-40-104
10	Operator Rod, for 12" Wall, ea (2 reqd)	73790-80-40-124
10	Operator Rod, for 14" Wall, ea (2 reqd)	73790-80-40-144
11	Part 11 Face Nut Washer, ea (2 reqd)	5509QT-PART11

Repair Kit HPRK-7, ea (2 reqd)	HPRK-7
--------------------------------	--------



5609QT
Cat Pg 5-08

Jay R. Smith Mfg. Co.
Wholesaler's
Parts Order Number Guide

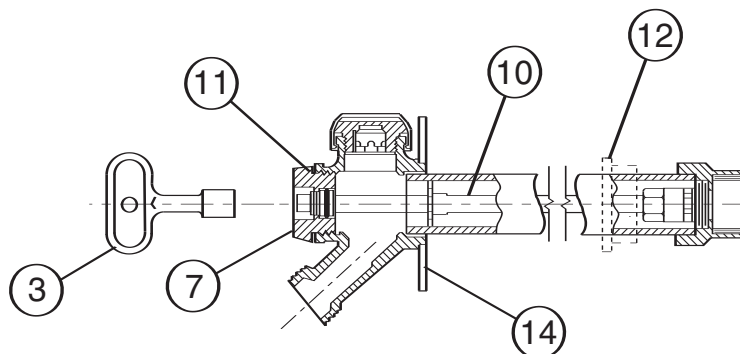


PART	DESCRIPTION	ITEM NUMBER
3	Hydrant Key	5609QT-PART03
7	Face Nut	5609QT-PART07
10	Operator Rod for Short as Possible	73790-80-40-014
10	Operator Rod for 4" Wall	73790-80-40-044
10	Operator Rod for 6" Wall	73790-80-40-064
10	Operator Rod for 8" Wall	73790-80-40-084
10	Operator Rod for 10" Wall	73790-80-40-104
10	Operator Rod for 12" Wall	73790-80-40-124
10	Operator Rod for 14" Wall	73790-80-40-144
10	Operator Rod for 16" Wall	73790-80-40-164
10	Operator Rod for 18" Wall	73790-80-40-184
11	Face Nut Washer	5609QT-PART11
*	Face Nut Wrench	5500FNW
12	Wall Clamp	5609QT-WC
14	Backer Plate Kit, NB	5609QT-BPKNP
14	Backer Plate Kit, PB	5609QT-BPKPB
14	Backer Plate Kit, CP	5609QT-BPKCP
	Repair Kit for Vacuum Breaker	HPRK-7VB

*Available, but not shown

Repair Kit f/5609QT

HPRK-7





Jay R. Smith Mfg. Co.
Wholesaler's
Parts Order Number Guide

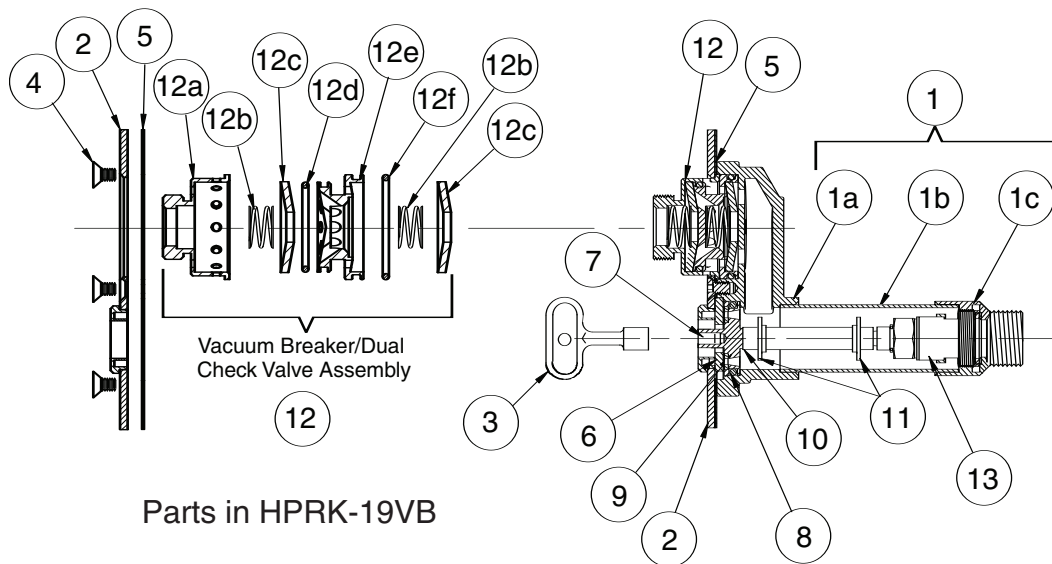
5619
Cat Pg 5-09

PART	DESCRIPTION	ITEM NUMBER
1	Casing Assembly	Not Avail as Part
2	Wall Plate and Deflector Assembly	5619-PART02
3	Hydrant Key	5619-PART03
	Wall Plate Securing Screws, ea (3 req'd)	5619-PART04
5	Wall Plate Gasket	5619-PART05
6	Stationary Operator Piece	5619-PART06
7	Moveable Operator Piece	5619-PART07
8	Moveable Operator O-Ring	5619-PART08
9	Drain Hole Seal, ea (2 reqd)	5619-PART09
10	Operator Rod	
11	Operator Rod Guides, ea (2 reqd)	5619-PART11
12*	Vacuum Breaker/Dual Check Valve Assy	5619-PART12
13*	Actuator Cartridge Assembly	5619-PART13
	Repair Kit f/Hydrant	HPRK-19VBNP

*Available Only as an Assembly

Repair Kit for Vac Brkr

HPRK-19

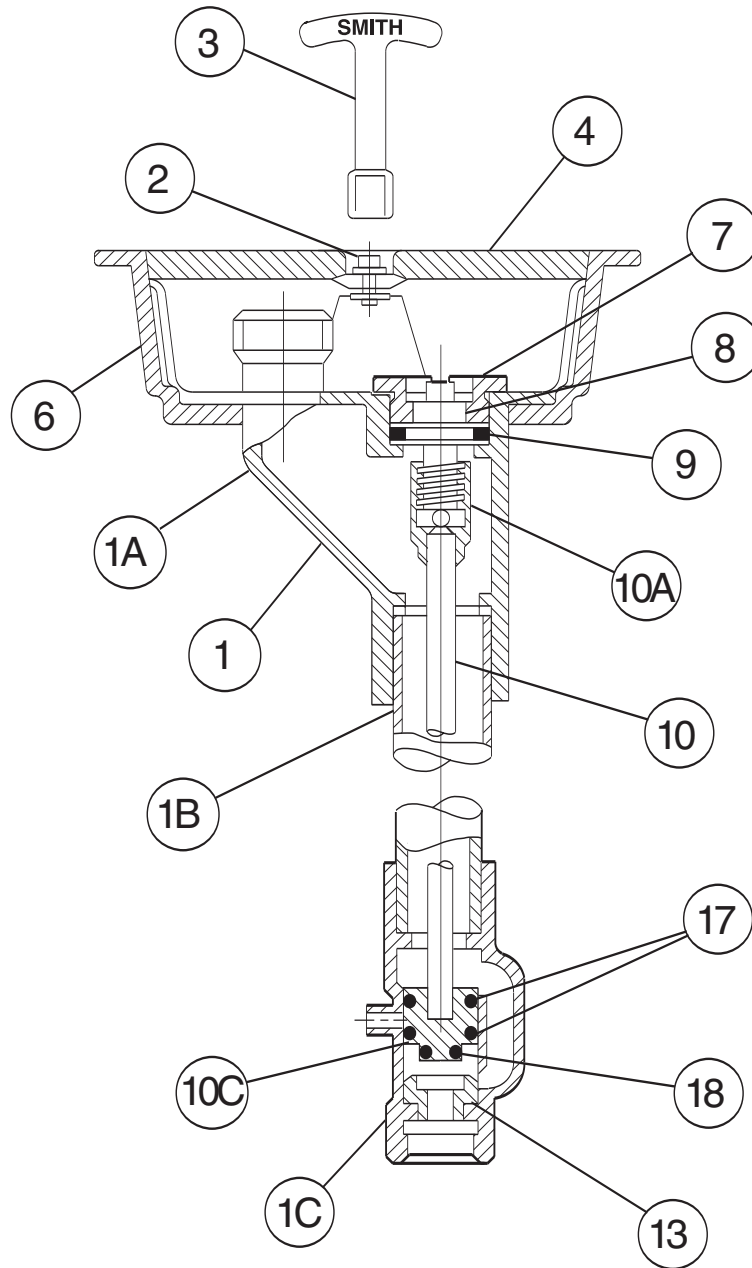


5810
Cat Pg 5-09

Jay R. Smith Mfg. Co.
Wholesaler's
Parts Order Number Guide



PART	DESCRIPTION	ITEM NUMBER	
------	-------------	-------------	--

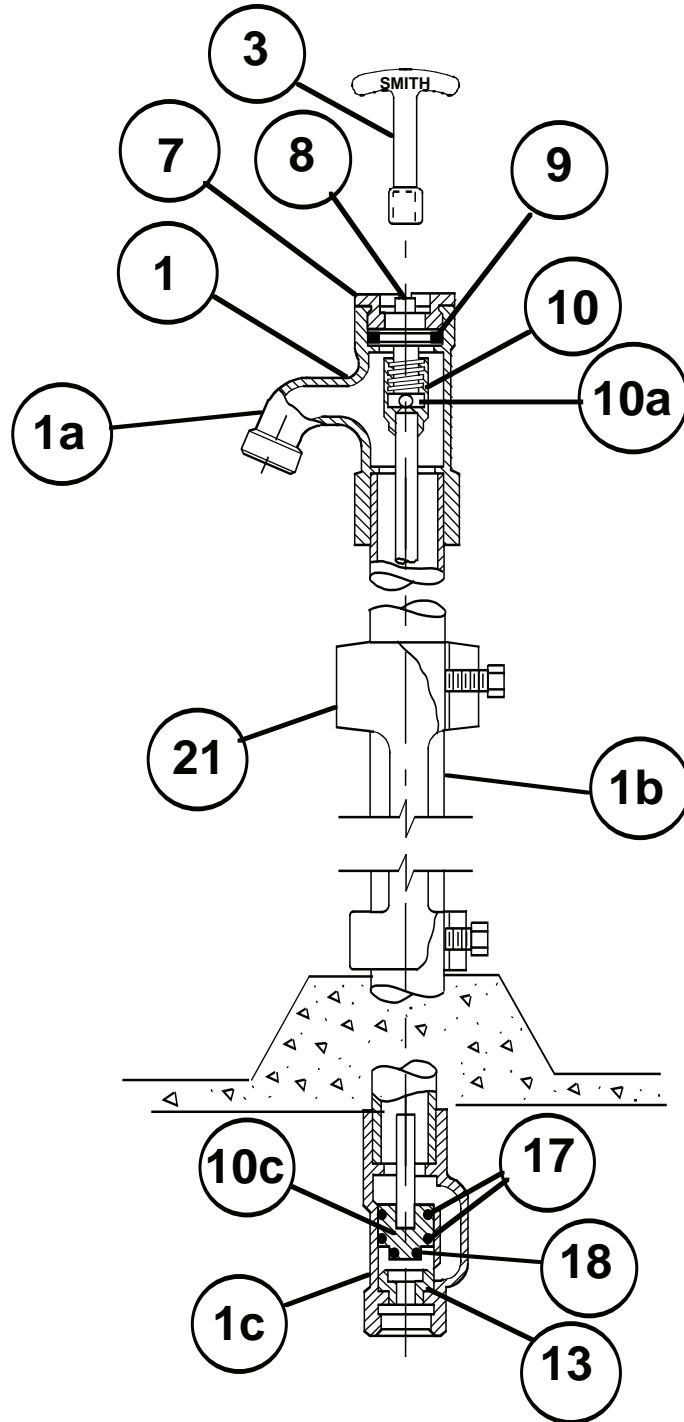




Jay R. Smith Mfg. Co.
Wholesaler's
Parts Order Number Guide

5810
Cat Pg 5-09

PART	DESCRIPTION	ITEM NUMBER
1C	Valve Housing	5810-PART01C
2	Lock Device	5810-PART02
3	Key	5810-PART03
4	Cover w/Lock Device, RB	5810-PART04
4	Cover w/Lock Device, PB	5810-PART04PB
4	Cover w/Lock Device, NB	5810-PART04NB
4	Cover w/Lock Device, CP	5810-PART04CP
5	Hydrant Cover Hinge Pins (2)	5810-PART05
6	Box, RB, Complete	5810BARB
6	Box, PB, Complete	5810BAPB
6	Box, NB, Complete	5810BANB
6	Box, CP, Complete	5810BACP
7	Face Nut	5810-PART07
8	Operating Screw	5810-PART08
9	Operating Screw "O" Ring	5810-PART09
10	Operating Rod Assembly, 24"	5810-24RA
10	Operating Rod Assembly, 36"	5810-36RA
10	Operating Rod Assembly, 48"	5810-48RA
10	Operating Rod Assembly, 60"	5810-60RA
10A	Coupling	5810-PART10A
10C	Plunger	5810-PART10C
13	Removable Seat	5810-PART13
14	3/4" Vacuum Breaker	5810-PART14
17	Plunger "O" Rings (2)	5810-PART17
18	Plunger "O" Ring	5810-PART18
*	12" Seat Wrench	5500SW-12
*	18" Seat Wrench	5500SW-18
*	24" Seat Wrench	5500SW-24
	Repair Kit HPRK-42	5810HPRK-1/79
	Repair Kit HPRK-41	5810HPRK-1/84





Jay R. Smith Mfg. Co.
Wholesaler's
Parts Order Number Guide

5910
Cat Pg 5-11

PART	DESCRIPTION	ITEM NUMBER
1	Head Casing Assembly	Not available as a part
1A	Head	Not available as a part
1B	Casing	Not available as a part
1C	Valve Housing	08655-50-4
3	Key	5910-PART03
7	Face Nut	5910-PART07
8	Operating Screw	5910-PART08
9	Operating Screw "O" Ring	5910-PART09
10	Operating Rod Assembly, 24"	5910-24RA
10	Operating Rod Assembly, 36"	5910-36RA
10	Operating Rod Assembly, 48"	5910-48RA
10	Operating Rod Assembly, 60"	5910-60RA
10	Operating Rod Assembly, 72"	5910-72RA
10	Operating Rod Assembly, 80"	5910-80RA
10A	Coupling	5810-PART10A
10C	Plunger	5810-PART10C
13	Removable Seat	5910-PART13
17	Plunger "O" Rings (2)	5910-PART17
18	Plunger "O" Ring	5910-PART18
21	Casing Guard	Not available as a part

Available but not shown:

Wheel Handle	5910WH
Removable Seat Wrench, 12"	5910W-12
Removable Seat Wrench, 18"	5910W-18
Removable Seat Wrench, 24"	5910W-24
Removable Seat Wrench, 60"	5910W-60



Jay R. Smith Mfg. Co.
Wholesaler's
Parts Order Number Guide

7150 Parts
(Refer to Back of Submittal)

PART	DESCRIPTION	ITEM NUMBER	
Parts For 4" 7150			
1	Wheel Handle Part 1	7150P01	
2	Cover Plate Part 2	7150P02-4	
3	Stem Part 3	7150P03-4	
4	Packing Bushing Part 4	7150P04	
5	Set of Bolts Part 5	7150P05-4	
6	Backwater Valve Pin Part 6	7150P06-4	
7	Backwater Valve Body Part 7	7150P07-4	
8	Backwater Valve Cover Part 8	7150P08-4	
9	Backwater Valve Arm Part 9	7150P09-4	
10	Gate Part 10	7150P10-4	
11	Gate Seat Part 11	7150P11-4	
12	Body Part 12	7150P12-4	
13	Valve Plate Part 13	7150P13-4	
14	Valve Gasket Part 14	7150P14-4	
15	Packing Part 15	7150P15	
17	Check Plug Part 17	7150P17-4	
Parts For 6" 7150			
1	Wheel Handle Part 1	7150P01	
2	Cover Plate Part 2	7150P02-6	
3	Stem Part 3	7150P03-6	
4	Packing Bushing Part 4	7150P04	
5	Set of Bolts Part 5	7150P05-6	
6	Backwater Valve Pin Part 6	7150P06-6	
7	Backwater Valve Body Part 7	7150P07-6	
8	Backwater Valve Cover Part 8	7150P08-6	
9	Backwater Valve Arm Part 9	7150P09-6	
10	Gate Part 10	7150P10-6	
11	Gate Seat Part 11	7150P11-6	
12	Body Part 12	7150P12-6	
13	Valve Plate Part 13	7150P13-6	
14	Valve Gasket Part 14	7150P14-6	
15	Packing Part 15	7150P15	
17	Check Plug Part 17	7150P17-6	