

PART	DESCRIPTION	ITEM NUMBER	
------	-------------	-------------	--

Fig. 8750

1	Cast Iron Cover	8750CVR-CI
1	Chrome Plated Bronze Cover	8750CVR-CP
1	Chrome Plated Cast Iron Cover	8750CVR-CP1
1	Polished Bronze Cover	8750CVR-PB
2	Cover Gasket	8750CGASK
	Sediment Basket	8750B

Fig. 8760

1	Cast Iron Cover	04318-10-1
1	Chrome Plated Bronze Cover	8760CVR-CP
1	Chrome Plated Cast Iron Cover	04318-10-1C
1	Polished Bronze Cover	04318-54-71
2	Cover Gasket	8760CGASK
	Sediment Basket	8760B

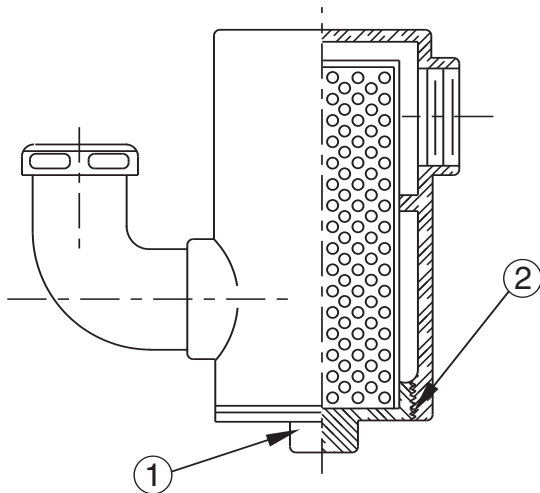


Fig. 8750

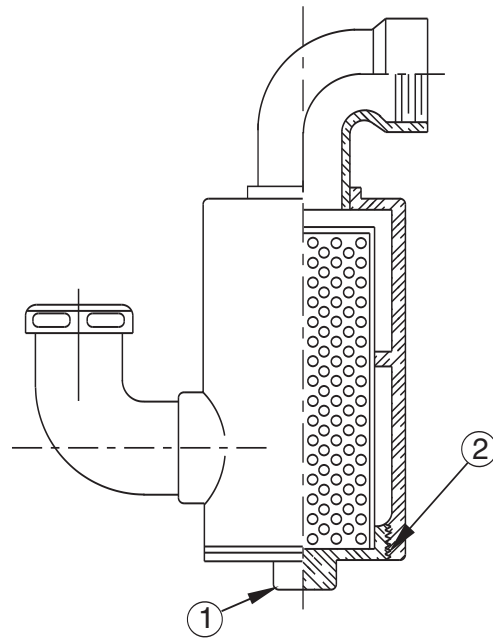


Fig. 8760