

PART	DESCRIPTION	ITEM NUMBER	
------	-------------	-------------	--

**Fig. 8710**

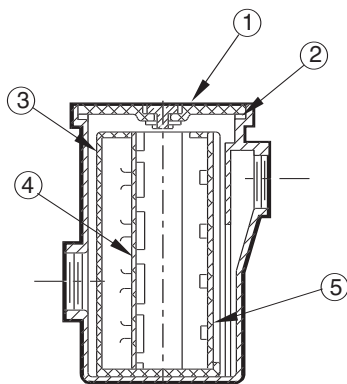
1	Aluminum Cvr w/ Lift & Locking Device	8710CA	
2	Cover Gasket	8710GASKET	
3, 4, 5	Sediment Bucket w/Removable Stainless Steel Screens	8710B	
4	Stainless Steel Inlet Screen	71473-80-5	
5	Stainless Steel Outlet Screen	71474-80-5	

**Fig. 8714**

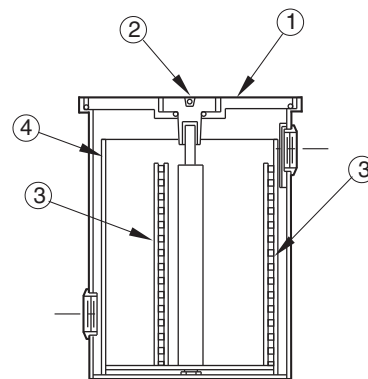
Aluminum Cvr w/ Lift & Locking Device	8714CVR	
Cover Gasket	8714GASKET	
Bucket w/Screen	8714B	

**Fig. 8715**

1	Cast Iron Cover Assembly	8715CICA	
	Cast Iron Cover Only	8715CVR	
2	Locking Device	8715LD	
3	Stainless Steel Screens	8715FBSCRN	
4	Bucket w/Screens	8715B/S	
	Bucket Only	8715B	



**Fig. 8710**



**Fig. 8715**