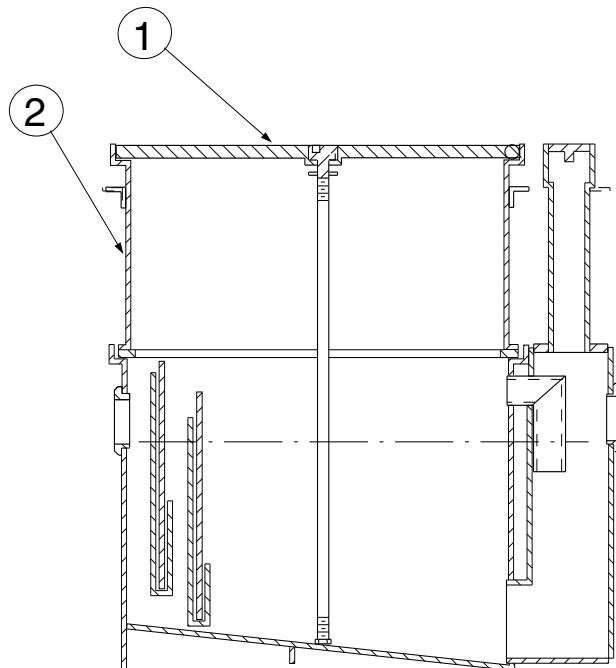
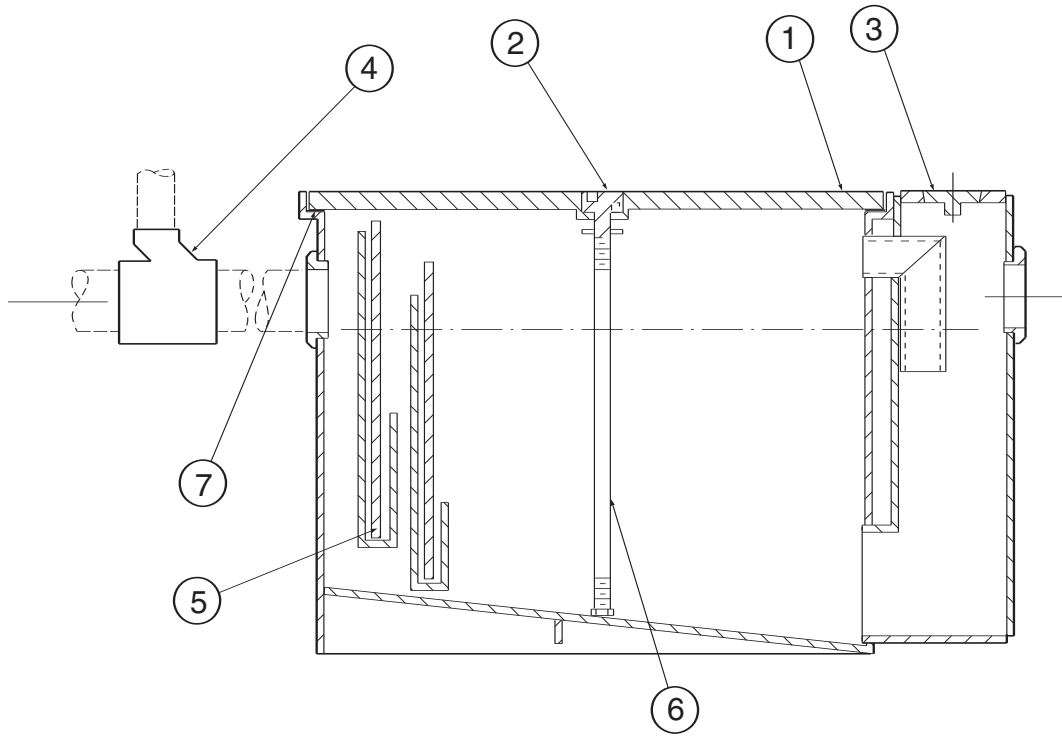




Jay R. Smith Mfg. Co.  
Wholesaler's  
Parts Order Number Guide

8004 thru 8250  
Cat Pg 8-05

PART	DESCRIPTION	ITEM NUMBER	
------	-------------	-------------	--



**8004 thru 8250**  
**Cat Pg 8-05**

**Jay R. Smith Mfg. Co.**  
**Wholesaler's**  
**Parts Order Number Guide**



PART	DESCRIPTION	ITEM NUMBER	
1, 2	CI Cover w/Lock & Lift Ring f/8004	8004-CICA	
1, 2	CI Cover w/Lock & Lift Ring f/8007	8007-CICA	
1, 2	CI Cover w/Lock & Lift Ring f/8010, 8210	8010-CICA	
1, 2	CI Cover w/Lock & Lift Ring f/8015, 8215	8015-CICA	
1, 2	CI Cover w/Lock & Lift Ring f/8020, 8220	8020-CICA	
1, 2	CI Cover w/Lock & Lift Ring f/8025, 8225	8025-CICA	
1, 2	CI Cover w/Lock & Lift Ring f/8035, 8235	8035-CICA	
1, 2	CI Cover w/Lock & Lift Ring f/8050, 8250	8050-CICA	
1, 2	Alum Cvr w/Lock & Lift Ring f/8004	8004CA/AL	
1, 2	Alum Cvr w/Lock & Lift Ring f/8007	8007CA/AL	
1, 2	Alum Cvr w/Lock & Lift Ring f/8010, 8210	8010CA/AL	
1, 2	Alum Cvr w/Lock & Lift Ring f/8015, 8215	8015CA/AL	
1, 2	Alum Cvr w/Lock & Lift Ring f/8020, 8220	8020CA/AL	
1, 2	Alum Cvr w/Lock & Lift Ring f/8025, 8225	8025CA/AL	
1, 2	Alum Cvr w/Lock & Lift Ring f/8035, 8235	8035CA/AL	
1, 2	Alum Cvr w/Lock & Lift Ring f/8050, 8250	8050CA/AL	
2	Lock & Lift Ring, ea	8000-LDK	
3	Cleanout		
4	Flow Control Ftg, 2" for 8004	8004FC2	
4	Flow Control Ftg, 2" for 8007	8007FC2	
4	Flow Control Ftg, 2" for 8010, 8220	8010FC2	
4	Flow Control Ftg, 2" for 8015, 8215	8015FC2	
4	Flow Control Ftg, 3" for 8015, 8215	8015FC3	
4	Flow Control Ftg, 3" for 8020, 8220	8020FC3	
4	Flow Control Ftg, 4" for 8020, 8220	8020FC4	
4	Flow Control Ftg, 3" for 8025, 8225	8025FC3	
4	Flow Control Ftg, 4" for 8025, 8225	8025FC4	
4	Flow Control Ftg, 3" for 8035, 8235	8035FC3	
4	Flow Control Ftg, 4" for 8035, 8235	8035FC4	
4	Flow Control Ftg, 3" for 8050, 8250	8050FC3	
4	Flow Control Ftg, 4" for 8050, 8250	8050FC4	
5	Set Removable Baffles f/8004	8004BAF-STL	
5	Set Removable Baffles f/8007	8007BAF-STL	
5	Set Removable Baffles f/8010	8010BAF-STL	



**Jay R. Smith Mfg. Co.  
Wholesaler's  
Parts Order Number Guide**

**8004 thru 8250  
Cat Pg 8-05**

PART	DESCRIPTION	ITEM NUMBER	
5	Set Removable Baffles f/8015, 8215	8015BAF-STL	
5	Set Removable Baffles f/8020, 8220	8020BAF-STL	
5	Set Removable Baffles f/8025, 8225	8025BAF-STL	
5	Set Removable Baffles f/8035, 8235	8035BAF-STL	
5	Set Removable Baffles f/8050, 8250	8050BAF-STL	
6	Hardware f/8004, Stud, Wshr, Nut, Gasket	8004-HWK	
6	Hardware f/8007, Stud, Wshr, Nut, Gasket	8007-HWK	
6	Hardware f/8010, Stud, Wshr, Nut, Gasket	8010-HWK	
6	Hardware f/8015, Stud, Wshr, Nut, Gasket	8015-HWK	
6	Hardware f/8020, Stud, Wshr, Nut, Gasket	8020-HWK	
6	Hardware f/8025, Stud, Wshr, Nut, Gasket	8025-HWK	
6	Hardware f/8035, Stds, Wshrs, Nuts, Gskt	8035-HWK	
6	Hardware f/8050, Stds, Wshrs, Nuts, Gskt	8050-HWK	
7	Neoprene Gasket for 8004	8004G	
7	Neoprene Gasket for 8007	8007G	
7	Neoprene Gasket for 8010, 8210	8010G	
7	Neoprene Gasket for 8015, 8215	8015G	
7	Neoprene Gasket for 8020, 8220	8020G	
7	Neoprene Gasket for 8025, 8225	8025G	
7	Neoprene Gasket for 8035, 8235	8035G	
7	Neoprene Gasket for 8050, 8250	8050G	
2	Steel Extension (6") f/8210	8210E06	
2	Steel Extension (6") f/8215	8215E06	
2	Steel Extension (6") f/8220	8220E06	
2	Steel Extension (6") f/8225	8225E06	
2	Steel Extension (6") f/8235	8235E06	
2	Steel Extension (6") f/8250	8250E06	