

**1070, 1080**  
**Cat Pg 1-12**

**Jay R. Smith Mfg. Co.**  
**Wholesaler's**  
**Parts Order Number Guide**



PART	DESCRIPTION	ITEM NUMBER	
------	-------------	-------------	--

**Fig 1070**

1	PVC Standpipe 4 1/2" H x 4" Dia	1070SP-4
1	PVC Standpipe 4 1/2" H x 6" Dia	1070SP-6
1	Flash Clamp only f/4" Dia PVC, CI Npl	1070C-4
1	Flash Clamp only f/6" Dia PVC, CI Npl	1070C-6
1, 2	PVC Standpipe 4" Dia w/Flashing Clamp	1070D
1, 2	PVC Standpipe 6" Dia w/Flashing Clamp	1070D-6
1, 2	CI Standpipe 4" Dia w/Flashing Clamp	1070DCI
1, 2	CI Standpipe 6" Dia w/Flashing Clamp	1070DCI-6

**Fig 1080**

1	Water Dam Collar, 2" High f/2-6" size	1080WDC
1	Water Dam Collar, 2" High f/8-10" size	1080WDC10
1	Water Dam Collar, 3" High f/2-6" size	1080WDC3
1	Water Dam Collar, 4" High f/2-6" size	1080WDC4
1	Water Dam Collar, 6" High f/2-6" size	1080WDC6

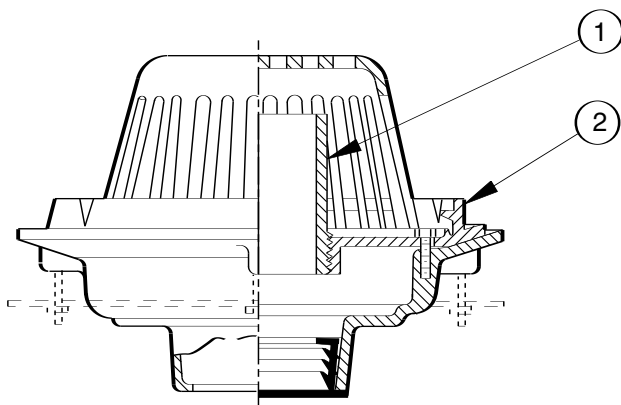


Fig. 1070

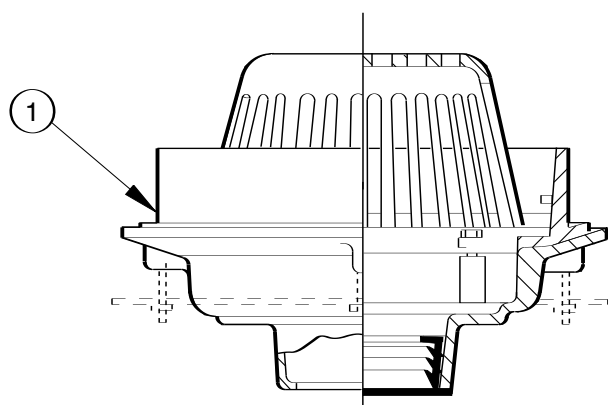


Fig. 1080