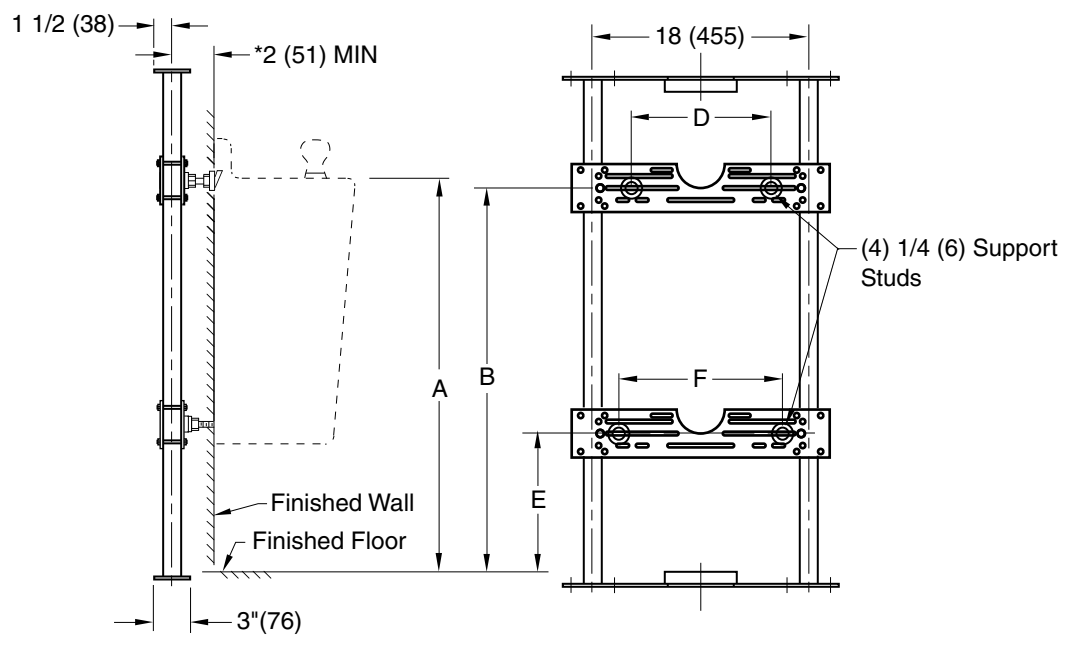


# LABOR SAVER™ ELECTRIC WATER COOLER SUPPORTS

## FLOOR MOUNTED TYPE

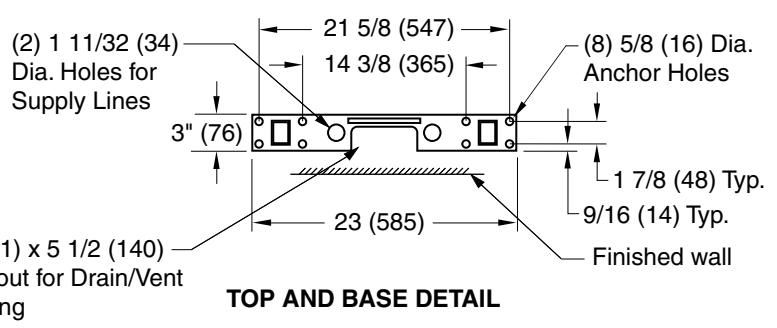


**Fig. 0831... FOR WALL MOUNTED ELECTRIC WATER COOLERS**

**NOTE:** The rough-in dimensions listed on this drawing are based on current information available to Jay R. Smith by the fixture manufacturers. We recommend that you verify these dimensions with the fixture manufacturer. We will not accept responsibility for rough-in dimension changes by the fixture manufacturer.

**NOTE:** \*This dimension can be increased when fixture support is to be installed behind the wall. (Specify when required and wall thickness).

**NOTE:** Dimensions shown in parentheses are in millimeters.



### ROUGH-IN TABLE

FIXTURE MFG.	NAME	NUMBER	SIZE	A	B	D	E	F

0831

FIGURE NUMBER	<b>E</b>	11/08/02	Changed per George Flegel	JJ	AM	WEIGHT POUNDS	VOLUME CUBIC FEET	FIGURE NUMBER
	<b>D</b>	08/05/02	Changed 2 1/2" Dim. to 2"	JJ	AM			0831
	<b>C</b>	7-10-02	Changed "E" & Chart Size	RN	AM			
	REV.	DATE	DESCRIPTION	BY	CKD. BY			

DIMENSIONS ARE SUBJECT TO MANUFACTURERS TOLERANCE AND CHANGE WITHOUT NOTICE

DRAWING NUMBER  
S0831

SIZE  
**A**

SCALE:  
NONE

DATE:  
04/11/01

APPROVED BY:  
AM

CHECKED BY:  
CR

DRAWN BY:  
JJ