

C


**JAY R. SMITH MFG. CO.**

 DIVISION OF SMITH INDUSTRIES, INC.  
 POST OFFICE BOX 3237  
 MONTGOMERY, ALABAMA 36109-0237 (USA)  
 TEL: 334-277-8520 FAX: 334-272-7396 www.jrsmith.com


MEMBER OF:



LOCATION

# WALL MOUNTED REINFORCING PLATES

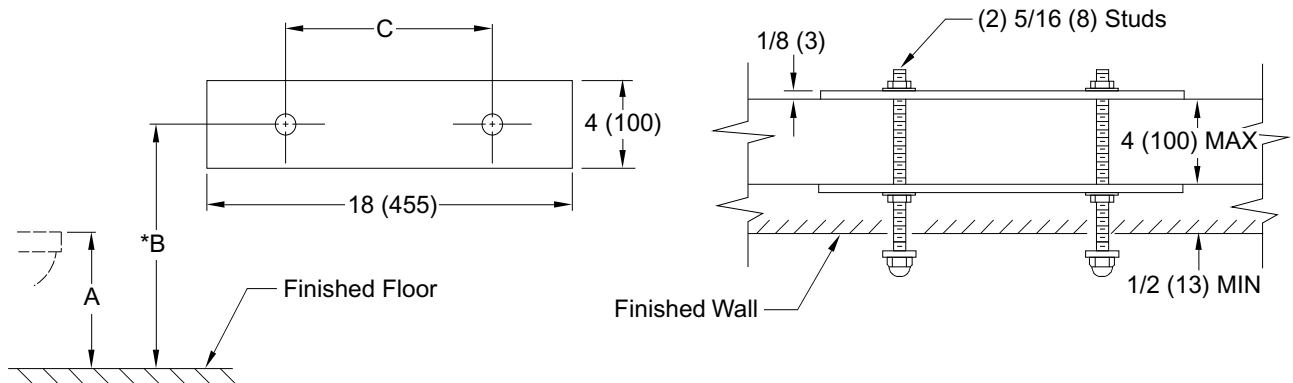
DRAWING NUMBER  
S0827SIZE  
ASCALE:  
NONEDATE:  
1-14-75

APPROVED BY:

CHECKED BY:  
RSDRAWN BY:  
RAS

WE CAN ASSUME NO RESPONSIBILITY FOR USE OF SUPERSEDED OR VOID DATA

DIMENSIONS ARE SUBJECT TO MANUFACTURERS TOLERANCE AND CHANGE WITHOUT NOTICE


**Fig. 0827 ... FOR USE WITH STUD SUPPORTED URINALS**
**ROUGHING-IN TABLE**

FIXTURE MFG.	NAME	NUMBER	A	B	C
AM. STD.	ALLBROOK	6545.016	24 (610)	36 1/8 (918)	5 (125)
CRANE	EXPEDIO	7-101, 3	22 (560)	26 1/2 (675)	5 (125)
CRANE	EXPEDIO	7-104	22 (560)	26 1/2 (675)	7 (180)
CRANE	MANHATTAN	7-105, 8	22 (560)	34 1/4 (870)	5 (125)
CRANE	SANTO	7-111, 2	22 (560)	34 1/4 (870)	5 (125)
U. RUNDLE	COLBY	4981, 2	22 (560)	33 1/4 (845)	5 1/4 (135)
U. RUNDLE	CELTIC	4989	22 (560)	42 1/2 (1080)	7 (180)
U. RUNDLE	COLBURN	4990	22 (560)	33 1/2 (850)	4 1/2 (115)

**NOTE:** The rough-in dimensions listed on this drawing are based on current information available to Jay R. Smith by the fixture manufacturers. We recommend that you verify these dimensions with the fixture manufacturer. We will not accept responsibility for rough-in dimension changes by the fixture manufacturer.

\* **NOTE:** This dimension is based on a rim to finish floor height of 31" (785).

**NOTE:** Dimensions shown in parenthesis are in millimeters.

0827

FIGURE  
NUMBER

REV.	DATE	DESCRIPTION	BY	CKD. BY
C	10-19-94	Submittal Update	EMB	BS

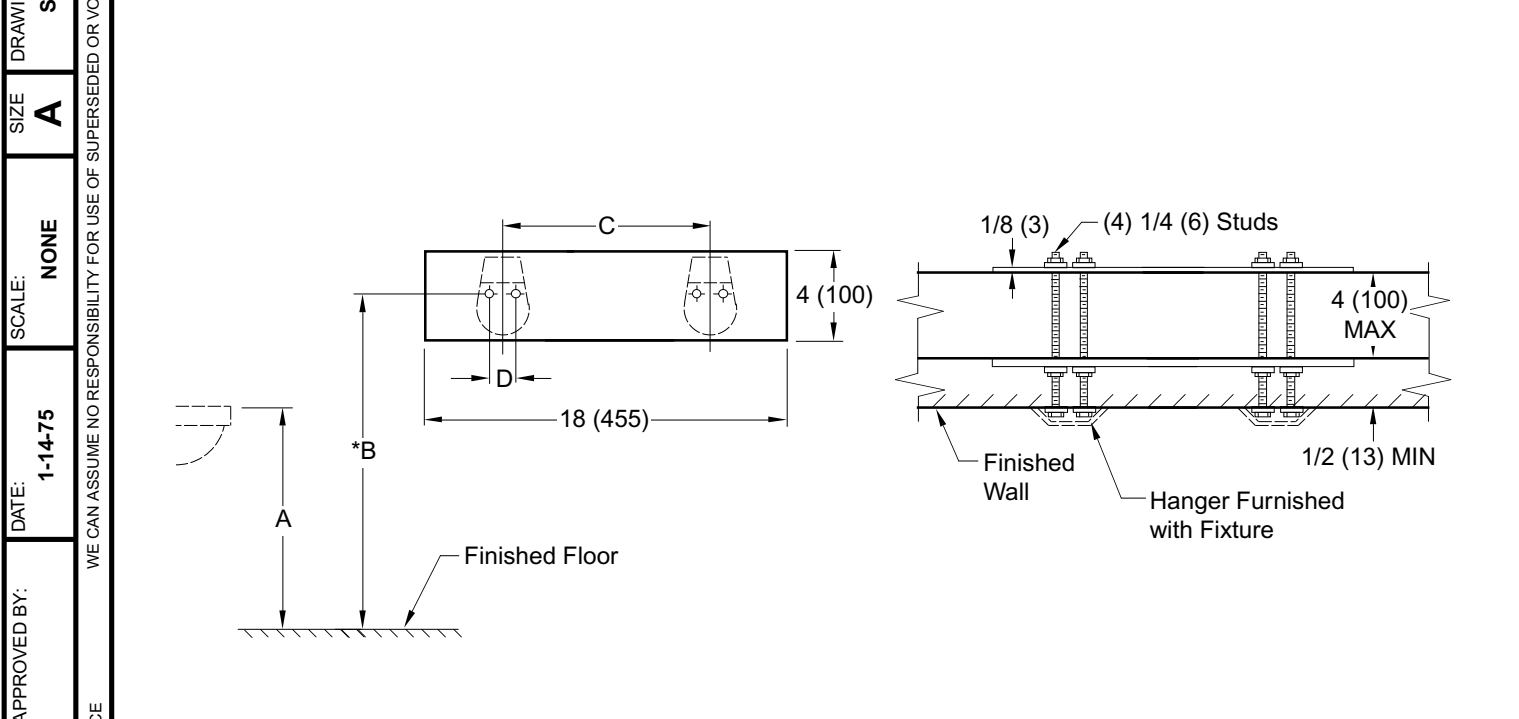
WEIGHT  
POUNDSVOLUME  
CUBIC FEET

FIGURE NUMBER

0827

# URINAL SUPPORTS

## WALL MOUNTED



**Fig. 0827 ... DOUBLE REINFORCING PLATES FOR WASHDOWN URINALS WITH CONCEALED HANGER**

### ROUGHING-IN TABLE

FIXTURE NAME	NUMBER	SIZE	A	B	C	D

**NOTE:** The rough-in dimensions listed on this drawing are based on current information available to Jay R. Smith by the fixture manufacturers. We recommend that you verify these dimensions with the fixture manufacturer. We will not accept responsibility for rough-in dimension changes by the fixture manufacturer.

**NOTE:** This dimension is based on a rim to finish floor height of 31" (785).

**NOTE:** Dimensions shown in parenthesis are in millimeters.

0827

FIGURE NUMBER	D	8-17-93	Submittal Update	EMB	BS	WEIGHT POUNDS	VOLUME CUBIC FEET	FIGURE NUMBER
	REV.	DATE	DESCRIPTION	BY	CKD. BY			0827

WE CAN ASSUME NO RESPONSIBILITY FOR USE OF SUPERSEDED OR VOID DATA