

LAVATORY SUPPORTS WITH CONCEALED ARMS

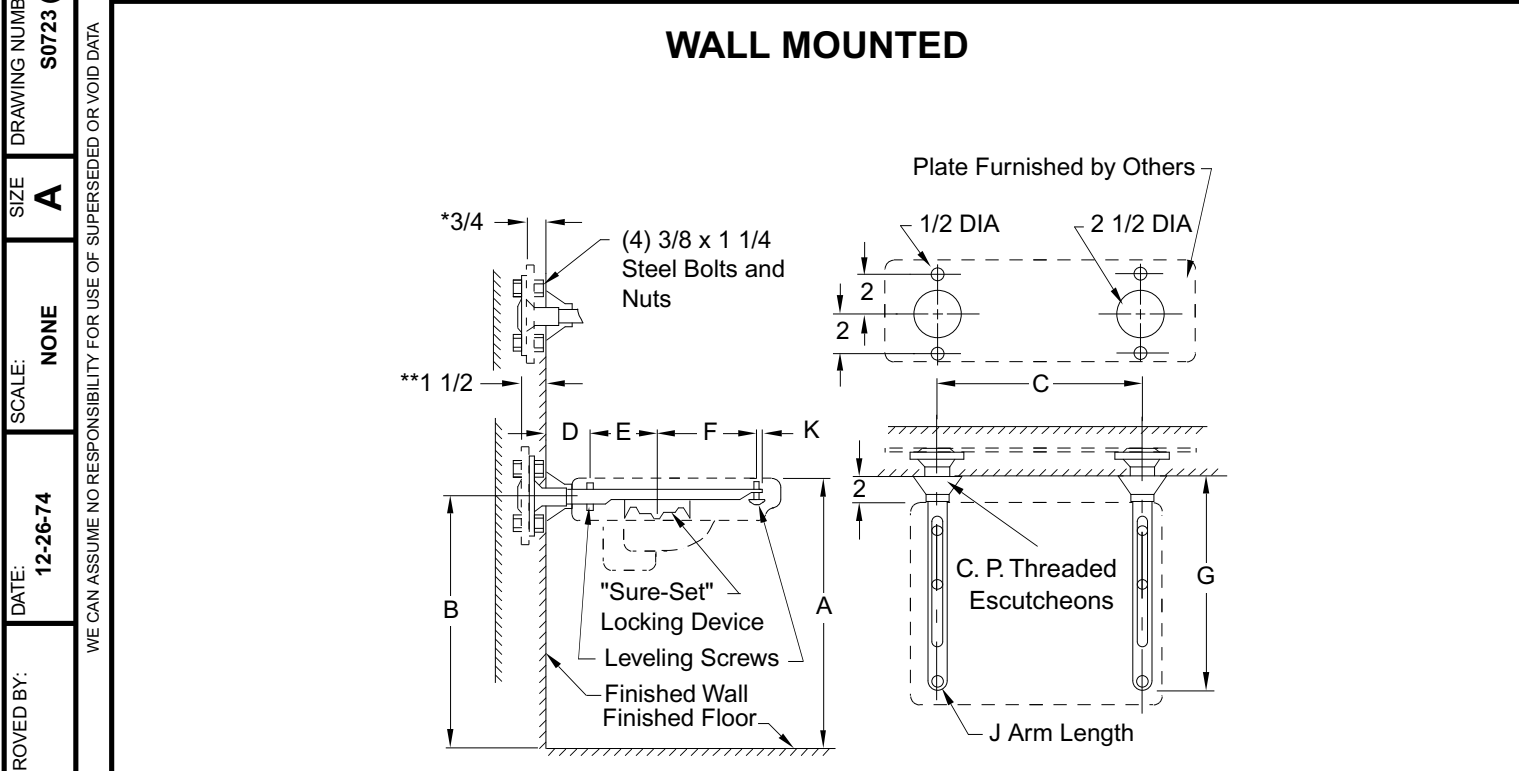


Fig. 0723 (-E) . . . FOR HIGH BACK LAVATORIES TO ATTACH TO BACKING PLATE SECURED IN WALL

* Arm support bracket shown bolted in back of wall plate for plaster wall construction.
 **Arm support bracket shown bolted in front of wall plate for tile wall construction.

ROUGHING-IN TABLE

FIXTURE MFG.	NAME	NUMBER	SIZE	A	B	C	D	E	F	G	J	K
AM. STD.	ROXALYN	0194.076	20 x 18	31	29 1/4	16 1/2	4	7	7	18 1/2	20	1/2
AM. STD.	ROXALYN	0194.134	24 x 20	31	29 1/4	20	4	7	7	18 1/2	20	1/2
AM. STD.	ROXALYN	0195.073	20 x 18	31	29 1/4	16 1/2	4	7	7	18 1/2	20	1/2
AM. STD.	ROXALYN	0195.289	24 x 20	31	29 1/4	20	4	7	7	18 1/2	20	1/2
CRANE	NORWICH	1-165	20 x 18	31	29 1/8	16 1/4	4	5 5/8	6 3/8	18 1/2	20	2 1/2
CRANE	NORWICH	1-165	24 x 21	31	29 1/8	19 1/2	4	5 5/8	7 1/8	18 1/4	20	1 1/2
ELJER	MAYBURNE	051-2344, 2548	20 x 18	31	29	17	4	5 5/8	5 5/8	17 1/4	19	2
ELJER	MAYBURNE	051-2354, 2558	24 x 20	31	29	20 7/8	4	5 5/8	7 1/8	18 1/4	20	1 1/2
KOHLER	JAMESTOWN	K-2053, 4, 5, 6	20 x 18	31	29	16 1/2	4	5 5/8	5 5/8	17 1/4	19	2
KOHLER	JAMESTOWN	K-2053, 4, 5, 6	24 x 20	31	29	19	4	7	7	18 1/2	20	1/2
U. RUNDLE	NEW CAMPUS	4698, 9	20 x 18	31	29 3/8	16 1/4	4	5	4	14	16	1

NOTE: The rough-in dimensions listed on this drawing are based on current information available to Jay R. Smith by the fixture manufacturers. We recommend that you verify these dimensions with the fixture manufacturer. We will not accept responsibility for rough-in dimension changes by the fixture manufacturer.

0723 (-E)

DIMENSIONS ARE SUBJECT TO MANUFACTURERS TOLERANCE AND CHANGE WITHOUT NOTICE

F	8-23-93	Submittal Update	EMB	BS	WEIGHT POUNDS	VOLUME CUBIC FEET	FIGURE NUMBER
REV.	DATE	DESCRIPTION	BY	CKD. BY			0723 (-E)

LAVATORY SUPPORTS WITH CONCEALED ARMS

WALL MOUNTED

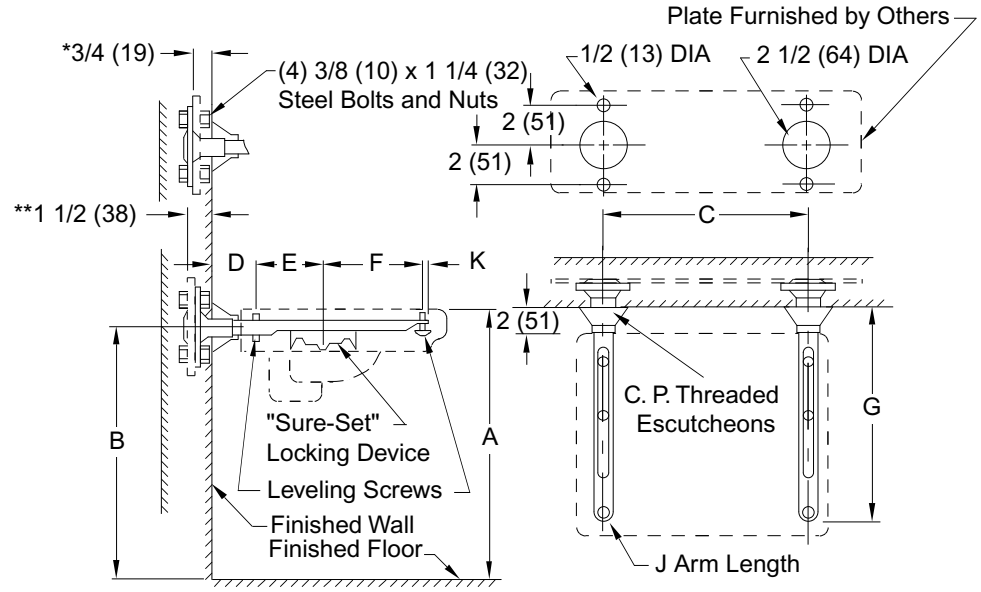


Fig. 0723 (-E) . . . FOR FLAT SLAB LAVATORIES TO ATTACH TO BACKING PLATE SECURED IN WALL

* Arm support bracket shown bolted in back of wall plate for plaster wall construction.
 **Arm support bracket shown bolted in front of wall plate for tile wall construction.

ROUGHING-IN TABLE

FIXTURE NAME				NUMBER			SIZE	
A	B	C	D	E	F	G	J	K

NOTE: The rough-in dimensions listed on this drawing are based on current information available to Jay R. Smith by the fixture manufacturers. We recommend that you verify these dimensions with the fixture manufacturer. We will not accept responsibility for rough-in dimension changes by the fixture manufacturer.

NOTE: Dimensions shown in parentheses are in millimeters.

0723 (-E)

WE CAN ASSUME NO RESPONSIBILITY FOR USE OF SUPERSEDED OR VOID DATA

DIMENSIONS ARE SUBJECT TO MANUFACTURERS TOLERANCE AND CHANGE WITHOUT NOTICE

REV.	DATE	DESCRIPTION	BY	CKD. BY	WEIGHT POUNDS	VOLUME CUBIC FEET	FIGURE NUMBER 0723 (-E)
G	4-2-97	Added Millimeters	EMB	BS			
F	8-10-93	Submittal Update	EMB	BS			