

C

**SMITH® JAY R. SMITH MFG. CO.®**  
 DIVISION OF SMITH INDUSTRIES, INC.  
 POST OFFICE BOX 3237  
 MONTGOMERY, ALABAMA 36109-0237 (USA)  
 TEL: 334-277-8520 FAX: 334-272-7396 www.jrsmith.com

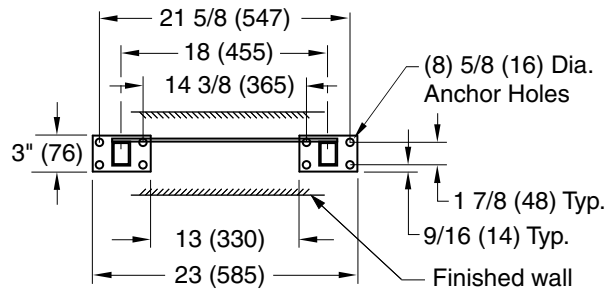
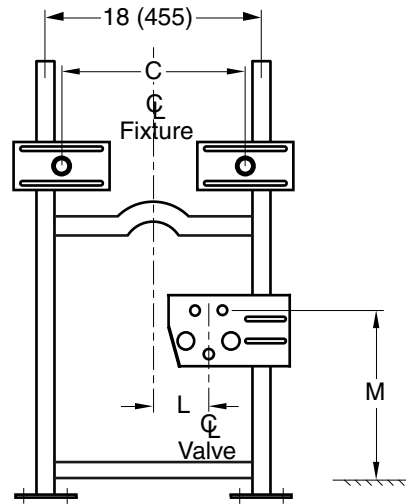
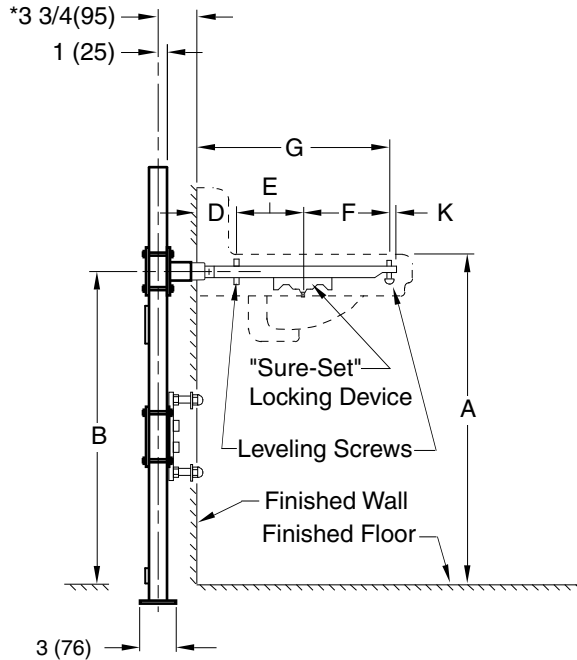


MEMBER OF:

LOCATION

# LABOR SAVER® LAVATORY SUPPORT FLOOR MOUNTED WITH CONCEALED ARMS

## FOR HIGH BACK LAVATORY WITH WALL MOUNTED KNEE-ACTION VALVE



**NOTE:** The rough-in dimensions listed on this drawing are based on current information available to Jay R. Smith by the fixture manufacturers. We recommend that you verify these dimensions with the fixture manufacturer. We will not accept responsibility for rough-in dimension changes by the fixture manufacturer.

**NOTE:** \*This dimension includes a wall thickness of 1/2". For greater wall thickness, specify centerline of upright to finished wall dimension.

**NOTE:** Dimensions shown in parentheses are in millimeters.

**ROUGH-IN TABLE**

		FIXTURE MFG.	NAME		NUMBER		SIZE				
A	B	C	D	E	F	G	J	K	L	M	

DRAWING NUMBER  
S0710 (-KW)

SIZE  
A

SCALE:  
NONE

DATE:  
07/12/01

APPROVED BY:  
AM

CHECKED BY:  
CR

DRAWN BY:  
JJ

0710 (-KW)

DIMENSIONS ARE SUBJECT TO MANUFACTURERS TOLERANCE AND CHANGE WITHOUT NOTICE

REV.	DATE	DESCRIPTION	BY	CKD. BY	WEIGHT POUNDS	VOLUME CUBIC FEET	FIGURE NUMBER
C B A	07/23/08 12/06/02 12/19/01	Revised Plate Configuration Revised per George Flegel Changed Hole Size in Base	JJ JJ JJ	CL AM AM			<b>0710 (-KW)</b>