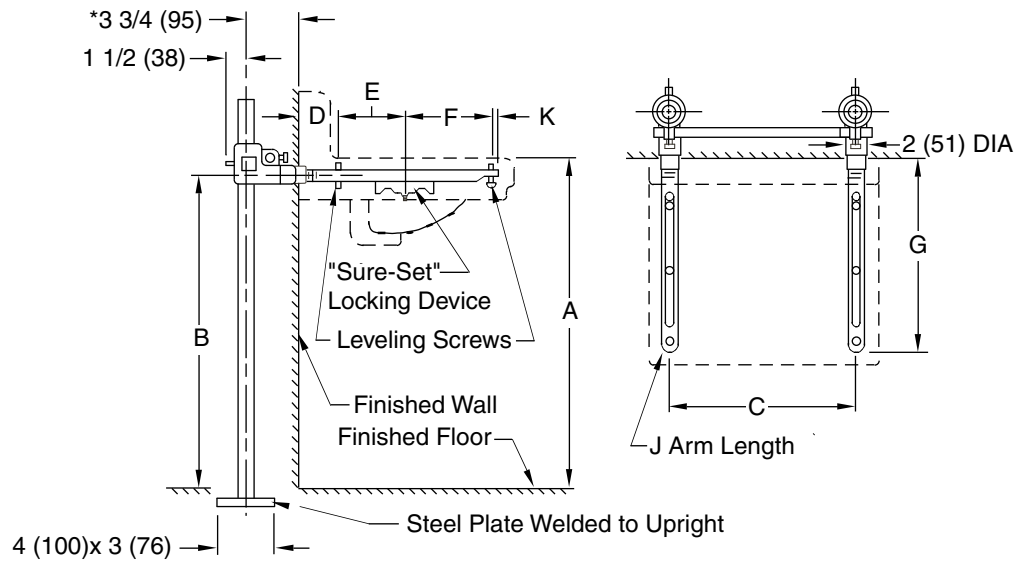


# LAVATORY SUPPORTS WITH CONCEALED ARMS

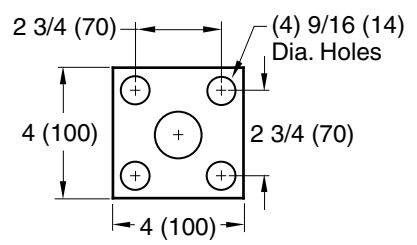
## FLOOR MOUNTED WITH "PRO-SET" UPRIGHTS



**Fig. 0700 ... FOR HIGH BACK LAVATORIES (shown)**

**NOTE:** The rough-in dimensions listed on this drawing are based on current information available to Jay R. Smith by the fixture manufacturers. We recommend that you verify these dimensions with the fixture manufacturer. We will not accept responsibility for rough-in dimension changes by the fixture manufacturer.

**NOTE:** Dimensions shown in parentheses are in millimeters.



**BASE DETAIL**

### ROUGHING-IN TABLE

FIXTURE MFG.	NAME	NUMBER	SIZE	A	B	C	D	E	F	G	J	K
AM. STD.	LUCERNE	0355.012	20 (510) x 18 (455)	31 (785)	29 1/4 (745)	16 3/4 (425)	4 (100)	6 (150)	6 (150)	16 1/2 (420)	19 (485)	1/2 (13)
AM. STD.	LUCERNE	0356.015	20 (510) x 18 (455)	31 (785)	29 1/4 (745)	16 3/4 (425)	4 (100)	6 (150)	6 (150)	16 1/2 (420)	19 (485)	1/2 (13)
AM. STD.	LUCERNE	0356.421	20 (510) x 18 (455)	31 (785)	29 1/4 (745)	16 3/4 (425)	4 (100)	6 (150)	6 (150)	16 1/2 (420)	19 (485)	1/2 (13)
AM. STD.	LUCERNE	0356.439	20 (510) x 18 (455)	31 (785)	29 1/4 (745)	16 3/4 (425)	4 (100)	6 (150)	6 (150)	16 1/2 (420)	19 (485)	1/2 (13)
AM. STD.	MURRO	0954.000	22 (560) x 21 (535)	34 (865)	32 3/8 (823)	16 3/4 (425)	4 (100)	6 (150)	4 (100)	14 1/2 (370)	17M (430)	1/2 (13)
AM. STD.	MURRO	0955.000	22 (560) x 21 (535)	34 (865)	32 3/8 (823)	16 3/4 (425)	4 (100)	6 (150)	4 (100)	14 1/2 (370)	17M (430)	1/2 (13)
AM. STD.	MURRO	0958.000	22 (560) x 21 (535)	34 (865)	32 3/8 (823)	16 3/4 (425)	4 (100)	6 (150)	4 (100)	14 1/2 (370)	17M (430)	1/2 (13)
CRANE	HARWICH	1-412	20 (510) x 18 (455)	31 (785)	29 1/4 (745)	16 1/4 (415)	4 (100)	5 5/8 (143)	4 3/8 (111)	16 1/2 (420)	18 (455)	2 1/2 (64)
ELJER	DELWYN	051-1634, 1838	18 (455) x 15 (380)	31 (785)	29 1/4 (745)	15 1/2 (395)	3 (76)	5 (125)	4 3/4 (120)	13 1/2 (345)	17M (430)	3/4 (19)
ELJER	SIGNATURE	051-2101, 4, 8	20 (510) x 18 (455)	34 (865)	32 (815)	17 (430)	4 (100)	5 5/8 (143)	5 5/8 (143)	15 3/4 (400)	18 (455)	1/2 (13)
KOHLER	GREENWICH	K-2030, 1, 2, 4, 6	20 (510) x 18 (455)	31 (785)	29 (735)	17 1/4 (440)	3 1/4 (83)	5 1/4 (135)	5 1/4 (135)	14 1/4 (360)	16 (405)	1/2 (13)
KOHLER	SOHO	K-2053, 4	20 (510) x 18 (455)	31 (785)	29 1/4 (745)	16 1/2 (420)	3 1/4 (83)	5 1/4 (135)	5 1/4 (135)	14 1/4 (360)	17M (430)	1/2 (13)
U. RUNDLE	NEW CAMDEN	4648, 9	20 (510) x 18 (455)	31 (785)	29 3/8 (746)	16 1/4 (415)	4 1/2 (115)	2 1/2 (64)	4 (345)	13 1/2 (345)	16 (405)	2 1/2 (64)

**NOTE:** \*This dimension can be increased when fixture support is to be installed behind the wall. (Specify when required and wall thickness).

**0700**  
 DRAWING NUMBER S0700  
 SIZE A  
 SCALE: NONE  
 DATE: 2-20-85  
 APPROVED BY: SJM  
 CHECKED BY: SJM  
 DRAWN BY: CR  
 DIMENSIONS ARE SUBJECT TO MANUFACTURERS TOLERANCE AND CHANGE WITHOUT NOTICE  
 WE CAN ASSUME NO RESPONSIBILITY FOR USE OF SUPERSEDED OR VOID DATA

H G	11/23/05 03/19/04	Revised Roughing-in Table Revised Roughing-in Table	JJ JJ	CL CL	WEIGHT POUNDS	VOLUME CUBIC FEET	FIGURE NUMBER <b>0700</b>
REV.	DATE	DESCRIPTION	BY	CKD. BY			

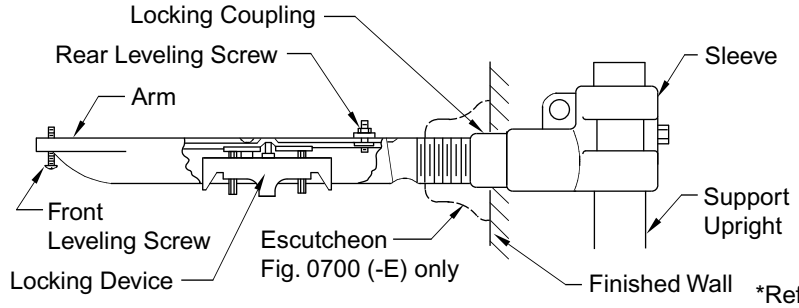
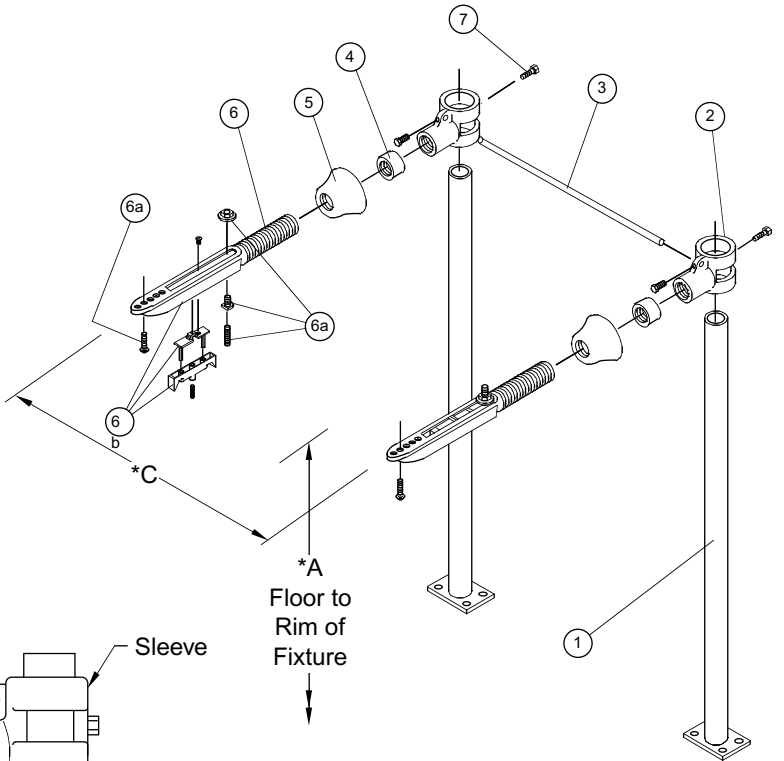
## INSTALLATION INSTRUCTIONS FOR CONCEALED ARM CARRIERS

**BEFORE** starting rough-in be certain you:

- know correct fixture number and name
- have a copy of Smith submittal (rough-in) drawing with dimensions for fixture to be used.

**NOTE:** The rough-in dimensions listed on this drawing are based on current information available to Jay R. Smith by the fixture manufacturers. We recommend that you verify these dimensions with the fixture manufacturer. We will not accept responsibility for rough-in dimension changes by the fixture manufacturer.

PART	QTY	DESCRIPTION
1	2	Upright (w/welded base)
2	2	Sleeve Assembly
3	1	Alignment Bar
4	2	Locking Coupling
5	2	Escutcheon Fig. 0700 (-E)
6	2	Arm Assembly
6a	2	Rear Leveling Screw Assy
6b	2	Locking Device
6c	2	Front Leveling Screw



\*Refer to Smith submittal drawing for these dimensions.

### INSTALLATION INSTRUCTIONS FOR CONCEALED ARM CARRIERS

- Uprights (Part #1) must be spaced according to the "C" dimension (shown on the submittal drawing). Uprights should not be bolted rigidly to the floor at this time.
- Position sleeves (Part #2) by using the "B" dimension (shown on the submittal drawing). Secure to uprights with 5/16 (8)-18 hex head bolts (furnished) on the back of the sleeve.
- Slide alignment bar (Part #3) into the sleeves. Recheck the "C" dimension at the center of the uprights. Secure the alignment bar with 5/16 (8) hex head bolts (furnished). Uprights should now be bolted securely to the floor. Uprights must be plumb: if necessary, shim to compensate for uneven floors.
- Thread escutcheon (Part #5), Fig. 0700 (-E) only onto arm (Part #6). Thread locking coupling (Part #4) onto arm. Thread arms into sleeves (Part #2) to dimension "G" (shown on the submittal drawing). Lock arms in place by tightening locking coupling (Part #4). Recheck "C" dimension at the end of the arms.
- Rear leveling screw assemblies (Part #6a) must be set according to the "D" dimension (shown on the submittal drawing). Position the locking devices (Part #6b) to the "E" dimension (shown on the submittal drawing). Install the front leveling screws (Part #6c) to the "E" dimension (shown on the submittal drawing).
- Level lavatory with leveling screws as required and secure in place with locking device.

DRAWING NUMBER: S0700 INS  
 SIZE: A  
 SCALE: NONE  
 DATE: 8-8-85  
 APPROVED BY: KG  
 CHECKED BY: CR  
 DRAWN BY: VGD  
**0700, 0700 (-E) INSTALLATION INSTRUCTIONS**  
 DIMENSIONS ARE SUBJECT TO MANUFACTURERS TOLERANCE AND CHANGE WITHOUT NOTICE

REV.	DATE	DESCRIPTION	BY	CKD. BY	WEIGHT POUNDS	VOLUME CUBIC FEET	<b>FIGURE NUMBER</b> <b>0700, 0700 (-E)</b> <b>INSTALLATION INSTRUCTIONS</b>
D	2/16/01	Revised Submittal	RN				
C	01/11/00	Revised Base Plate	JJ				
B	6-7-95	Added Millimeters	EMB	BS			
A	9-27-94	Submittal Update	EMB	BS			

H



**JAY R. SMITH MFG. CO.**  
 DIVISION OF SMITH INDUSTRIES, INC.  
 POST OFFICE BOX 3237  
 MONTGOMERY, ALABAMA 36109-0237 (USA)  
 TEL: 334-277-8520 FAX: 334-272-7396 www.jrsmith.com



MEMBER OF:



LOCATION

DRAWING NUMBER  
S0700 (B)

SIZE  
A

SCALE:  
NONE

DATE:  
9-11-63

APPROVED BY:

CHECKED BY:  
RP

DRAWN BY:  
SL

0700

WE CAN ASSUME NO RESPONSIBILITY FOR USE OF SUPERSEDED OR VOID DATA

DIMENSIONS ARE SUBJECT TO MANUFACTURERS TOLERANCE AND CHANGE WITHOUT NOTICE

# LAVATORY SUPPORTS WITH CONCEALED ARMS

## FLOOR MOUNTED WITH "PRO-SET" UPRIGHTS

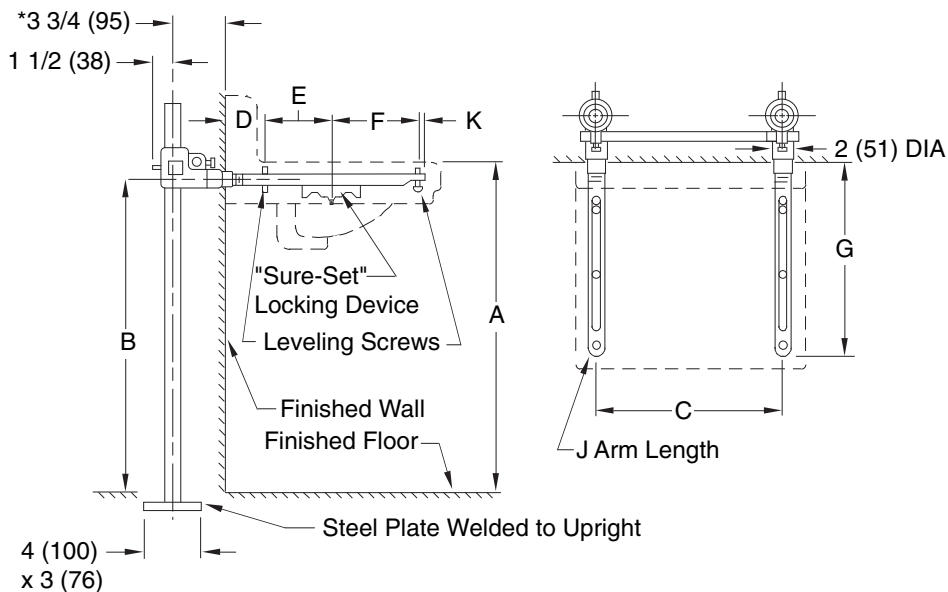
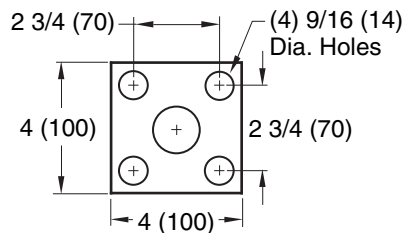


Fig. 0700 . . . FOR HIGH BACK LAVATORIES (shown)

**NOTE:** The rough-in dimensions listed on this drawing are based on current information available to Jay R. Smith by the fixture manufacturers. We recommend that you verify these dimensions with the fixture manufacturer. We will not accept responsibility for rough-in dimension changes by the fixture manufacturer.

**NOTE:** Dimensions shown in parentheses are in millimeters.

**NOTE:** Front leveling screws should protrude 1"(25) above arms.



BASE DETAIL

### ROUGHING-IN TABLE

FIXTURE NAME				NUMBER			SIZE	
A	B	C	D	E	F	G	J	K

**NOTE:** \*This dimension can be increased when fixture support is to be installed behind the wall. (Specify when required and wall thickness).

H G	02/25/02 2/20/01	Revised Submittal Revised Submittal	JJ RN	CR BS
REV.	DATE	DESCRIPTION	BY	CKD. BY

WEIGHT POUNDS	VOLUME CUBIC FEET

**FIGURE NUMBER**  
**0700**