



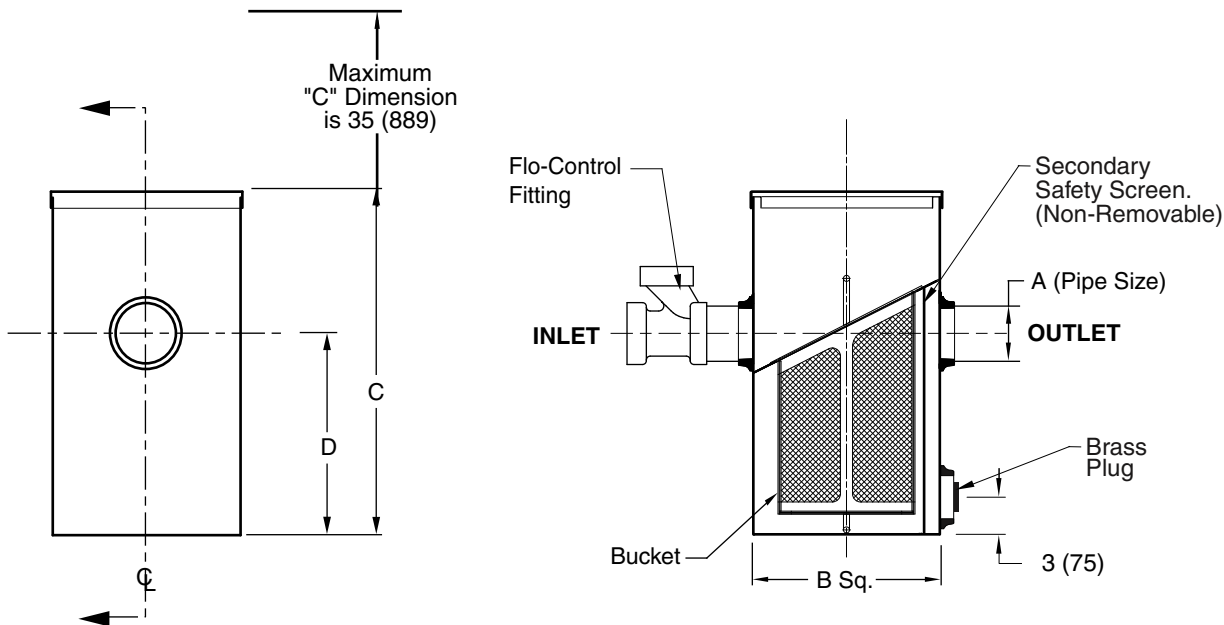
JAY R. SMITH MFG. CO.
 DIVISION OF SMITH INDUSTRIES, INC.
 POST OFFICE BOX 3237
 MONTGOMERY, ALABAMA 36109-0237 (USA)
 TEL: 334-277-8520 FAX: 334-272-7396 www.jrsmith.com



LOCATION

REMEDIATOR® SOLIDS INTERCEPTOR

FUNCTION: To provide means of collecting various food waste solids to prevent entry into the Remediator® Grease Treatment System. Remediator® Solids Interceptor can be installed on the floor or recessed. Unit must be installed where access is available for regularly required maintenance.



THREADED INLET AND OUTLET

FIGURE NO.	GPM	A (Pipe Size)	B Sq.	C	D
△ ▲ 8970-SI-20	20	02 (50)	11 7/8 (300) SQ.	21 5/16 (541)	12 1/2 (320)
△ ▲ 8970-SI-35	35	02 (50)	11 7/8 (300) SQ.	21 5/16 (541)	12 1/2 (320)
△ ▲ 8970-SI-50	50	03 (75)	11 7/8 (300) SQ.	21 5/16 (541)	13 (330)
8970-SI-75	75	03 (75)	11 7/8 (300) SQ.	21 5/16 (541)	13 (330)

▲ IAPMO Listed, File #3782
 △ NES Listed PCR GI 101.012

REGULARLY FURNISHED:

All Stainless Steel Fabricated Interceptor Body with Mesh Bucket and Diamond Plate Cover w/Lift Ring, Cast Iron Flow Control Fitting and Brass Plug provided in Low Outlet.

NOTE: Flow Control fitting must precede Solids Interceptor but shall not be installed more than 16" (405) below the centerline of the discharge of the highest contributing fixture.

NOTE: Minimum 25" clearance above cover for bucket removal.

NOTE: Dimensions shown in parentheses are in millimeters.

DRAWING NUMBER: 8970-SI
 SIZE: A
 SCALE: NONE
 DATE: 1-7-97
 APPROVED BY: BS
 CHECKED BY: BS
 DRAWN BY: CMD
 8970-SI
 FIGURE NUMBER

WE CAN ASSUME NO RESPONSIBILITY FOR USE OF SUPERSEDED OR VOID DATA
 DIMENSIONS ARE SUBJECT TO MANUFACTURERS TOLERANCE AND CHANGE WITHOUT NOTICE

REV.	DATE	DESCRIPTION	BY	CKD. BY	WEIGHT POUNDS	VOLUME CUBIC FEET	FIGURE NUMBER
	04/05/10	Changed Decimals to Fractions	JJ	AM			8970-SI
	4-20-05	Revised Text & Drawing	RN	SW			
	4-24-03	Add Dimension	RN	WAS			