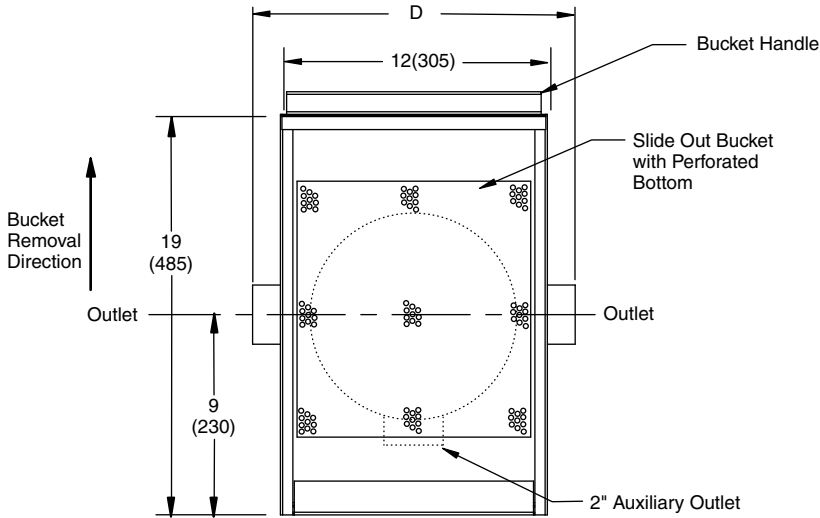




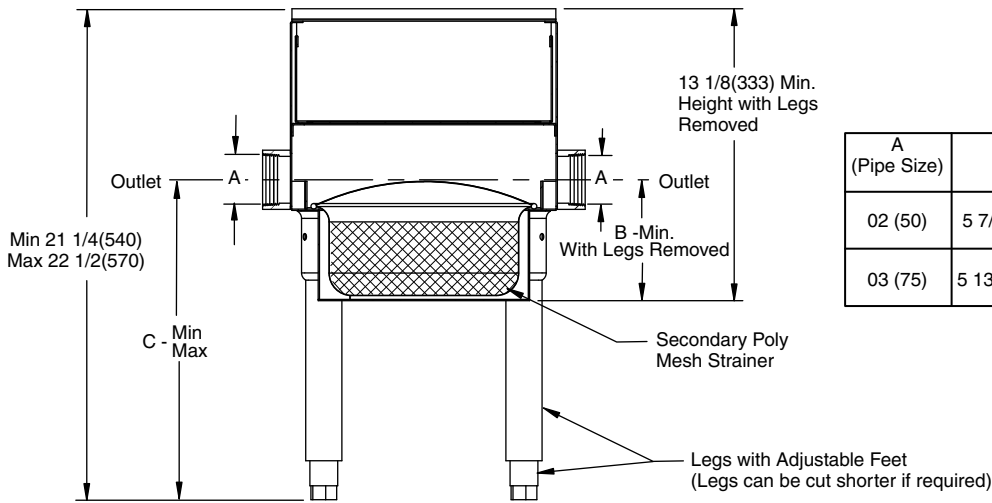
LOCATION

INDIRECT WASTE SOLIDS INTERCEPTOR

FUNCTION: Open top solids interceptor provides a means of collecting food solids from a indirect waste discharge line before entering the drain line going to a grease interceptor.



NOTE: Allow 19(485) of clearance on bucket removal side of interceptor for bucket removal. Also allow 6(150) of clearance above interceptor for secondary mesh strainer removal.



A (Pipe Size)	B	C Min Max	D
02 (50)	5 7/16 (138)	13 1/2 (345) 14 7/8 (378)	14 1/2 (370)
03 (75)	5 13/16 (148)	13 7/8 (353) 15 1/4 (390)	15 1/4 (390)

A (PIPE SIZE) = 02(50) OR 03(75)
 FIG. 8960T.....Threaded Connections

REGULARLY FURNISHED:
 Fabricated Type 304 Stainless Steel Body with Adjustable Legs, Perforated Bottom Bucket, and Secondary Poly Mesh Strainer.

VARIATIONS:
 "Y" No-Hub Connections

See reverse side for illustration of interceptor components.

DRAWING NUMBER
s8960

SIZE
A

SCALE:
NONE

DATE:
6-1-06

APPROVED BY:
CEL

CHECKED BY:
CL

DRAWN BY:
RN

8960

WE CAN ASSUME NO RESPONSIBILITY FOR USE OF SUPERSEDED OR VOID DATA

DIMENSIONS ARE SUBJECT TO MANUFACTURERS TOLERANCE AND CHANGE WITHOUT NOTICE

FIGURE NUMBER

REV.	DATE	DESCRIPTION	BY	CKD. BY

WEIGHT POUNDS

VOLUME CUBIC FEET

FIGURE NUMBER

8960



JAY R. SMITH MFG. CO.
 DIVISION OF SMITH INDUSTRIES, INC.
 POST OFFICE BOX 3237
 MONTGOMERY, ALABAMA 36109-0237 (USA)
 TEL: 334-277-8520 FAX: 334-272-7396 www.jrsmith.com



MEMBER OF:



LOCATION

INDIRECT WASTE SOLIDS INTERCEPTOR

DRAWING NUMBER
s8960BS

SIZE
A

SCALE:
NONE

DATE:
4-11-06

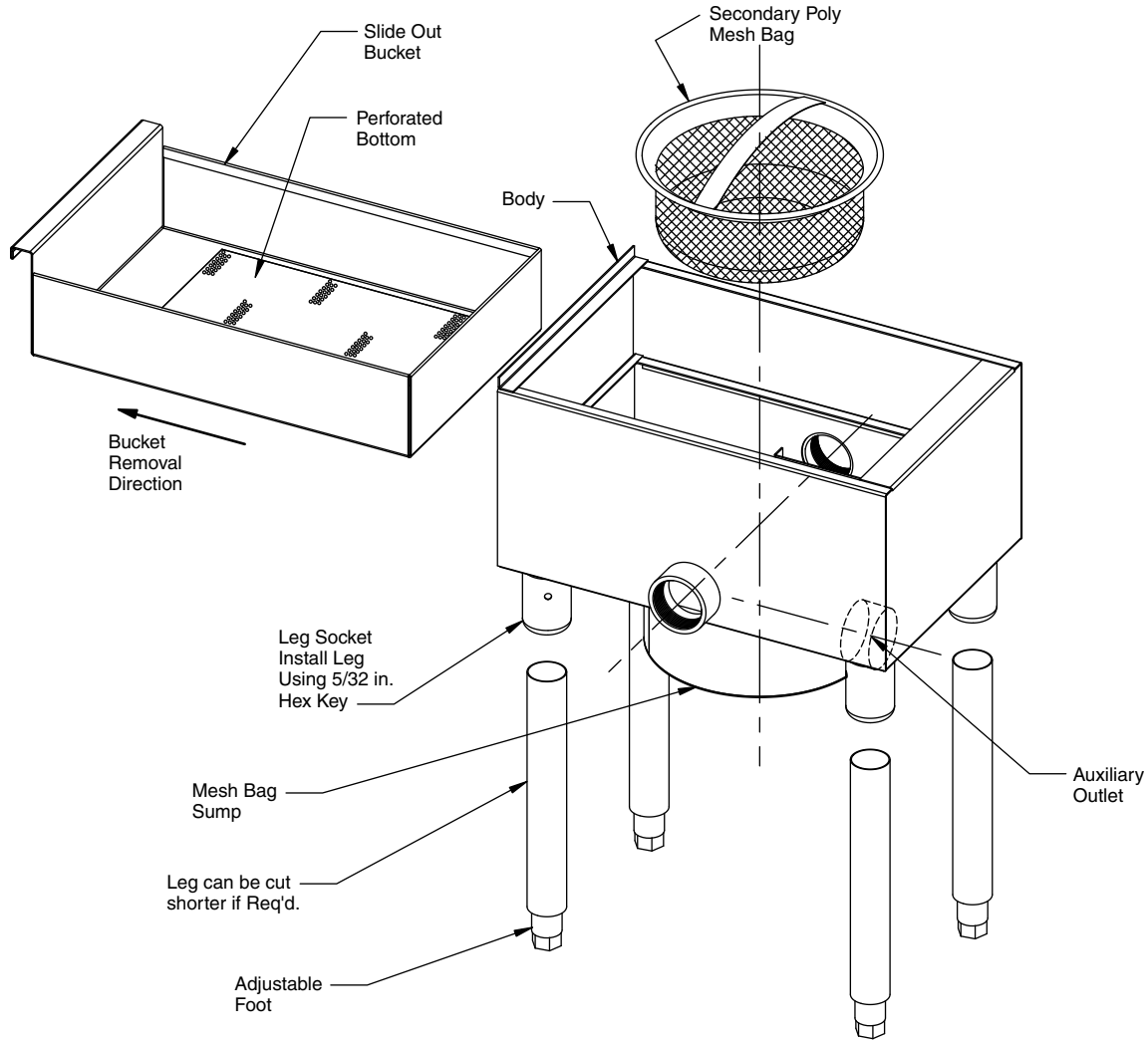
APPROVED BY:
CEL

CHECKED BY:
CL

DRAWN BY:
RN

WE CAN ASSUME NO RESPONSIBILITY FOR USE OF SUPERSEDED OR VOID DATA

DIMENSIONS ARE SUBJECT TO MANUFACTURERS TOLERANCE AND CHANGE WITHOUT NOTICE



8960

FIGURE NUMBER

REV.	DATE	DESCRIPTION	BY	CKD. BY

WEIGHT POUNDS

VOLUME CUBIC FEET

FIGURE NUMBER

8960