

C



JAY R. SMITH MFG. CO.
 DIVISION OF SMITH INDUSTRIES, INC.
 POST OFFICE BOX 3237
 MONTGOMERY, ALABAMA 36109-0237 (USA)
 TEL: 334-277-8520 FAX: 334-272-7396 www.jrsmith.com



MEMBER OF:

LOCATION

DRAWING NUMBER
S8730SIZE
ASCALE:
NONEDATE:
12-11-84APPROVED BY:
KGCHECKED BY:
VGDDRAWN BY:
PJ

8730

WE CAN ASSUME NO RESPONSIBILITY FOR USE OF SUPERSEDED OR VOID DATA

DIMENSIONS ARE SUBJECT TO MANUFACTURERS TOLERANCE AND CHANGE WITHOUT NOTICE

SOLIDS INTERCEPTORS

SUSPENDED TYPE

FUNCTION: Compact design makes this unit particularly adaptable for use directly under the fixture in place of the regular "P" trap. Unit will intercept all types of solids and precious metals. Interceptor is cleaned and inspected by removing bottom sediment strainer plate and dropping entire assembly.

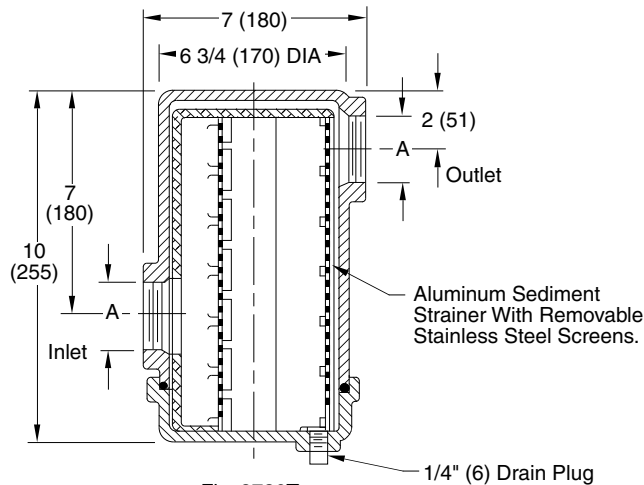


Fig. 8730T

A (Pipe Size) = 0150 (40) or 02 (50)

NOTE: Allow 8 1/2" (215) below interceptor for removal of strainer.

NOTE: It is the responsibility of the installer to check all parts (internal and external) to verify they are in their proper operating order and location.

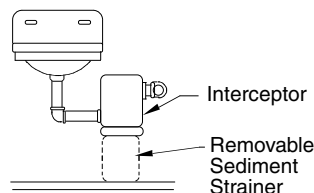
REGULARLY FURNISHED:

White Duco Coated Cast Iron Body
 and Aluminum Strainer with
 Removable Stainless Steel Screens.

OPTIONAL MATERIALS:

- Acid Resistant Coating Inside - ARI
- Acid Resistant Coating Outside - ARO
- Acid Resistant Coating Inside and Outside - ARIO
- Aluminum Body -AA
- All ABS (Specify Fig. 8730-ABS)

TYPICAL INSTALLATION



SUSPENDED TYPE INSTALLATION

NOTE: Dimensions shown in parentheses are in millimeters.

REV.	DATE	DESCRIPTION	BY	CKD. BY	WEIGHT POUNDS	VOLUME CUBIC FEET	FIGURE NUMBER
C	7-11-03	Revised Optional Materials	RN	CL			8730
B	3-14-96	Added Millimeters	EMB	BS			
A	9-14-94	Submittal Update	CMB	BS			