



JAY R. SMITH MFG. CO.
 DIVISION OF SMITH INDUSTRIES, INC.
 POST OFFICE BOX 3237
 MONTGOMERY, ALABAMA 36109-0237 (USA)
 TEL: 334-277-8520 FAX: 334-272-7396 www.jrsmith.com



MEMBER OF:

LOCATION

SOLIDS INTERCEPTORS

FLUSH WITH FLOOR OR ON THE FLOOR TYPE

FUNCTION: Provides a means of collecting solids such as metal chips, plaster and stones before entering the drain line preventing line stoppage. Fig. 8714-56 small capacity interceptor is ideal for dental offices or similar establishments where the unit can be mounted directly under the sink to recover precious metals as well as intercept harmful debris. Fig. 8714-56 has an internal deep seal trap and is cleaned by removing cover and lifting sediment bucket vertically out of the body.

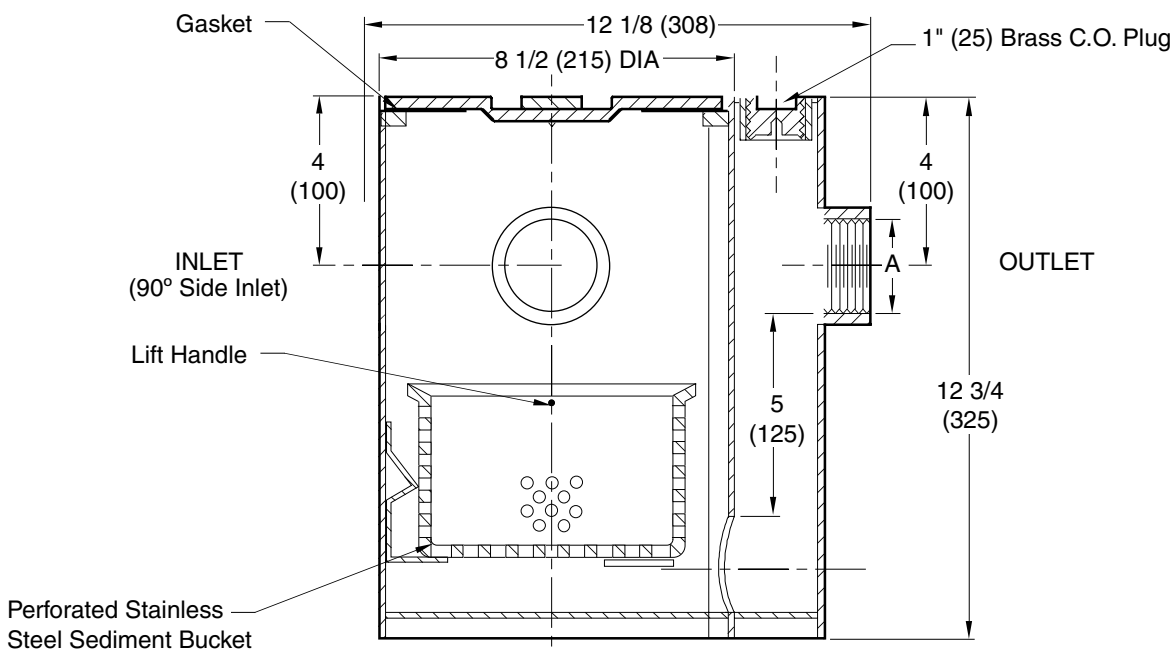


Fig. 8714T

A(Pipe Size) = 0150(40) or 02(50)

NOTE: It is the responsibility of the installer to check all parts (internal and external) to verify they are in their proper operating order and location.

NOTE: Allow 4 1/2" (115) above interceptor for removal of basket.

REGULARLY FURNISHED:

Fabricated Steel Body with Galvanized Sub-Coat with White Duco Finish Inside and Outside with 90° Side Inlet and Stainless Steel Perforated Bucket and Aluminum Cover.

VARIATIONS:

- Fine Mesh Screen
- Bucket Liner

NOTE: Dimensions shown in parentheses are in millimeters.

OPTIONAL MATERIALS:

- Acid Resistant Coating Inside - ARI
- Acid Resistant Coating Outside - ARO
- Acid Resistant Coating Inside and Outside - ARIO
- All Stainless Steel Fabricated Body and Cover -SS

DRAWING NUMBER
S8714-56

SIZE
A

SCALE:
NONE

DATE:
8-30-07

APPROVED BY:
ECW

CHECKED BY:
BW

DRAWN BY:
RH

FIGURE NUMBER
8714-56

WE CAN ASSUME NO RESPONSIBILITY FOR USE OF SUPERSEDED OR VOID DATA

DIMENSIONS ARE SUBJECT TO MANUFACTURERS TOLERANCE AND CHANGE WITHOUT NOTICE

REV.	DATE	DESCRIPTION	BY	CKD. BY

WEIGHT POUNDS	VOLUME CUBIC FEET

FIGURE NUMBER 8714-56
