



SMITH® JAY R. SMITH MFG. CO.®
 DIVISION OF SMITH INDUSTRIES, INC.
 POST OFFICE BOX 3237
 MONTGOMERY, ALABAMA 36109-0237 (USA)
 TEL: 334-277-8520 FAX: 334-272-7396 www.jrsmith.com

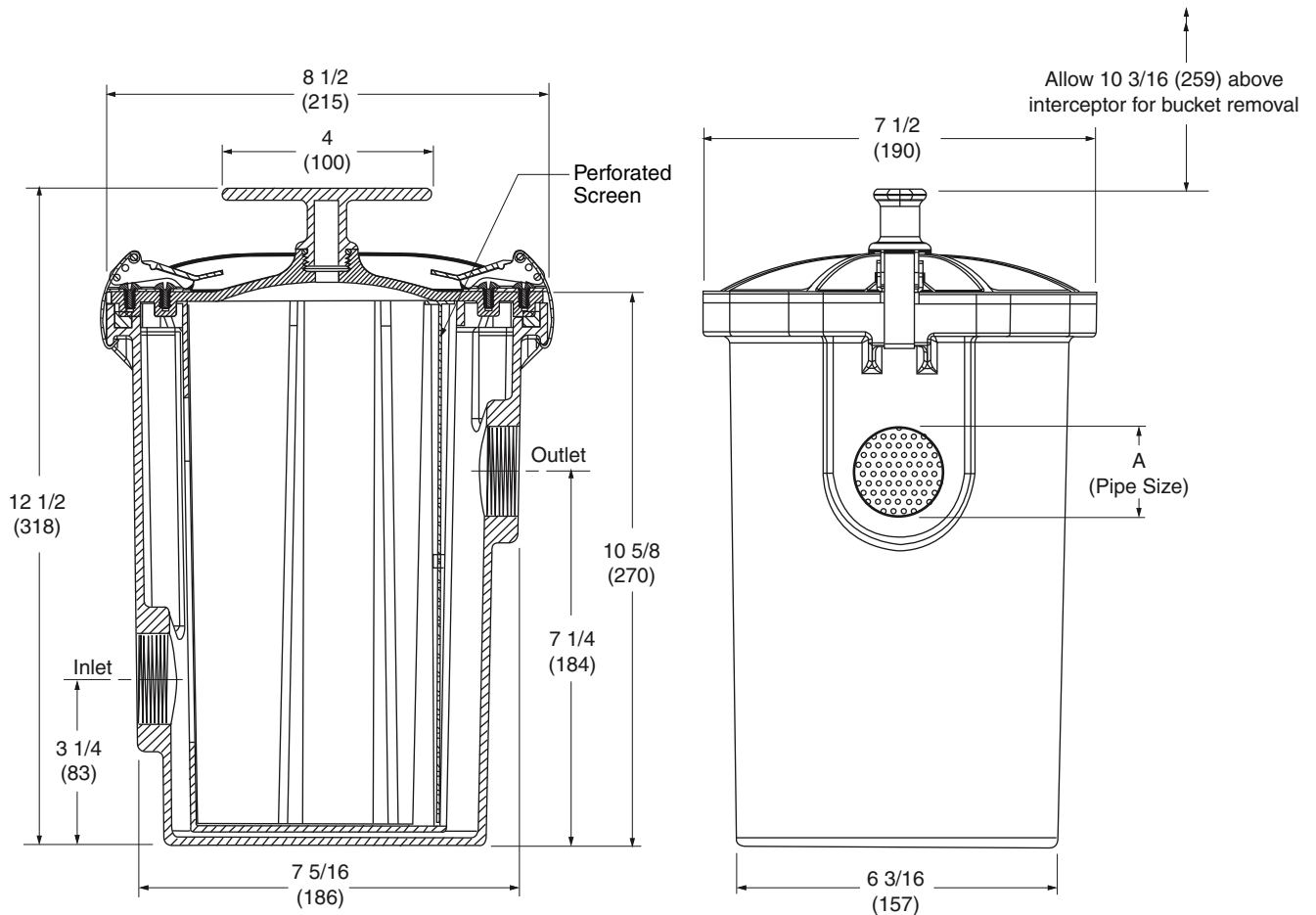


MEMBER OF:

LOCATION

SOLIDS INTERCEPTOR

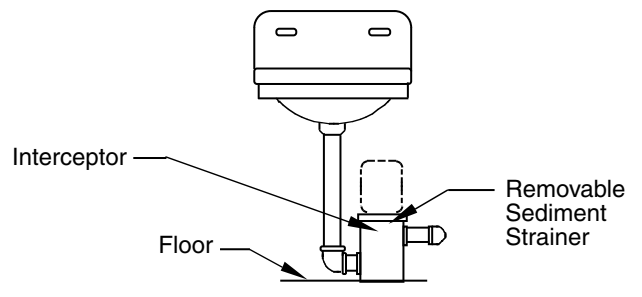
FUNCTION: Provides a means of collecting solids such as metal chips, plaster and stones before entering the drain line preventing line stoppage. The Fig. 8710 interceptor is ideal for dental offices or similar establishments where the unit can be mounted directly under the sink to recover precious metals as well as intercept harmful debris. Fig. 8710 is cleaned by removing cover and lifting strainer and screen assembly vertically out of body.



A (Pipe Size) = 0150 (38) or 02 (50)

- Fig. 8710T0150-ABS
- Fig. 8710T02-ABS

TYPICAL INSTALLATION



REGULARLY FURNISHED:

All ABS White Body, Gasketed Cover with Stainless Steel Latches and Removeable Sediment Bucket with Removeable 3/32 (2) Diameter Perforated Screen.

NOTE: Dimensions shown in parentheses are in millimeters.

DRAWING NUMBER
s8710-ABS

SIZE
A

SCALE:
NONE

DATE:
7-11-03

APPROVED BY:
CEL

CHECKED BY:
CL

DRAWN BY:
RN

8710-ABS

FIGURE NUMBER

WE CAN ASSUME NO RESPONSIBILITY FOR USE OF SUPERSEDED OR VOID DATA

REV.	DATE	DESCRIPTION	BY	CKD. BY

WEIGHT POUNDS	VOLUME CUBIC FEET	FIGURE NUMBER 8710-ABS
---------------	-------------------	----------------------------------