

K

**SMITH® JAY R. SMITH MFG. CO.®**  
 DIVISION OF SMITH INDUSTRIES, INC.  
 POST OFFICE BOX 3237  
 MONTGOMERY, ALABAMA 36109-0237 (USA)  
 TEL: 334-277-8520 FAX: 334-272-7396 www.jrsmith.com



LOCATION

# OIL INTERCEPTORS

## LARGE CAPACITY - STEEL OIL INTERCEPTORS

**FUNCTION:** Large capacity oil interceptors are used in large garages, service areas and industrial plants where waste laden with oil and sediment must be intercepted. The intercepted oils are drawn off by gravity to a storage tank or container. Any sediment which is included in the discharge is collected in a large sediment bucket and periodically removed. Interceptors should not be located directly in traffic areas. If required, specify extra heavy duty traffic cover.

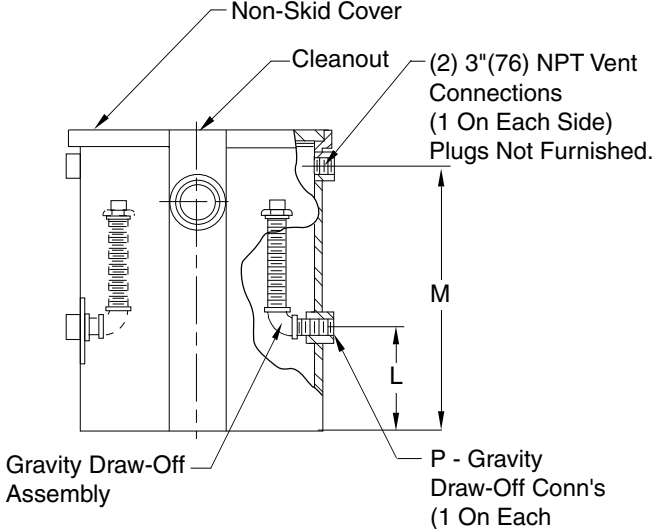
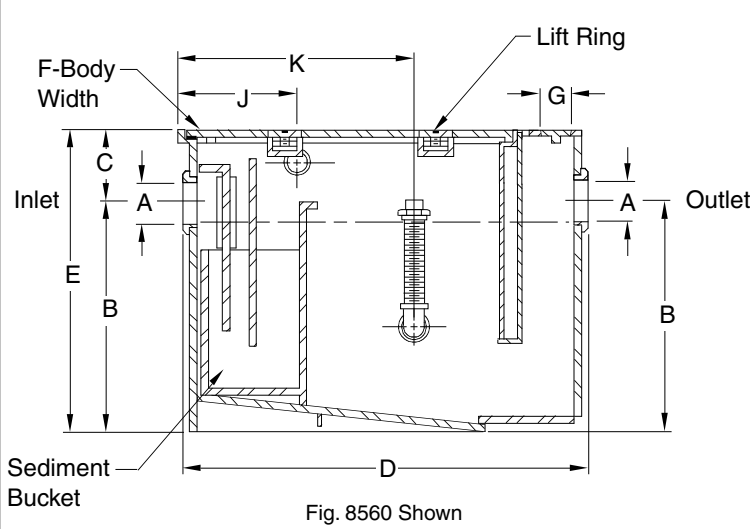


Fig. 8560 Shown

**NOTE:** Interceptor shall be vented on outlet side per local code requirements.

**NOTE:** It is the responsibility of the installer to check all parts (internal and external) to verify they are in their proper operating order and location.

| PCN/<br>Fig. No. | GPM<br>Flow Rate | Inlet and<br>Outlet<br>Size | Dimensions             |             |               |              |              |            | C.O.<br>Plug<br>Size | Dimensions   |             |              |           |   | Draw-<br>Off |
|------------------|------------------|-----------------------------|------------------------|-------------|---------------|--------------|--------------|------------|----------------------|--------------|-------------|--------------|-----------|---|--------------|
|                  |                  |                             | Roughing<br>Dimensions |             |               | Body         |              |            |                      | G            | J           | K            | L         | M |              |
|                  |                  |                             | A*                     | B           | C             | D            | Height<br>E  | Width<br>F |                      |              |             |              |           |   |              |
| 8560             | 75               | 04(100)                     | 21 1/2(545)            | 15 1/2(395) | 50 3/4(1290)  | 37(940)      | 30 1/2(775)  | 3(76)      | 21(535)              | 28 1/4(720)  | 13(330)     | 32 3/4(830)  | 2(51)     |   |              |
| 8565             | 100              | 04(100)                     | 27(685)                | 16 1/2(420) | 54 3/4(1390)  | 43 1/2(1105) | 33 1/2(850)  | 3(76)      | 23(585)              | 30 1/4(770)  | 18 1/2(470) | 39 1/4(995)  | 2(51)     |   |              |
| 8570             | 150              | 05(125)                     | 33(840)                | 17 1/2(545) | 60 3/4(1543)  | 50 1/2(1283) | 38 1/2(980)  | 4(100)     | 25 1/2(650)          | 34 1/4(870)  | 23 1/2(595) | 46 1/4(1175) | 2 1/2(64) |   |              |
| 8575             | 200              | 05(125)                     | 37(940)                | 17 1/2(545) | 67 3/4(1720)  | 54 1/2(1385) | 43 1/2(1105) | 4(100)     | 29(735)              | 38 1/4(970)  | 27 1/2(700) | 50 1/4(1275) | 2 1/2(64) |   |              |
| 8580             | 250              | 05(125)                     | 40(1015)               | 18(455)     | 73 3/4(1875)  | 58(1473)     | 47 1/2(1205) | 4(100)     | 32(815)              | 42 1/4(1075) | 30 1/2(775) | 53 3/4(1365) | 2 1/2(64) |   |              |
| 8585             | 350              | 05(125)                     | 43 1/2(1105)           | 18(455)     | 85 3/4(2178)  | 61 1/2(1562) | 54 1/2(1385) | 4(100)     | 38(965)              | 50 1/4(1275) | 34(865)     | 57 1/4(1455) | 2 1/2(64) |   |              |
| 8590             | 500              | 06(150)                     | 48(1220)               | 18(455)     | 103 1/4(2623) | 66(1615)     | 64 1/2(1640) | 5(125)     | 46(1170)             | 62 1/4(1580) | 38(965)     | 61 3/4(1570) | 2 1/2(64) |   |              |

\*Available with larger inlet and outlet when specified.

**REGULARLY FURNISHED:**  
 Steel Interceptor with Gray Duco Coating Inside and Outside and Flow Control Fitting.

2" (51) min. extension available. Anchor flange & flashing clamp not available on less than 4"(100) extension.

- VARIATIONS:**
- Anchor Flange -F
  - Flange and Flashing Clamp -F-C
  - Integral Extension -E (Specify Height eg: -E12 for 12" (305) Ext.)
  - NO-HUB Adaptor (4) Req'd (Specify Fig. 2646Y)
  - Traffic Rated Cover-H20

- OPTIONAL MATERIALS:**
- Acid Resistant Coating Inside - ARI
  - Acid Resistant Coating Outside - ARO
  - Acid Resistant Coating Inside and Outside - ARIO
  - Aluminum Cover -AC

**NOTE:** Dimensions shown in parentheses are in millimeters.

DRAWING NUMBER  
S8560

SIZE  
A

SCALE:  
NONE

DATE:  
12-11-84

APPROVED BY:  
KG

CHECKED BY:  
VGD

DRAWN BY:  
PJ

FIGURE NUMBER  
8560

WE CAN ASSUME NO RESPONSIBILITY FOR USE OF SUPERSEDED OR VOID DATA

DIMENSIONS ARE SUBJECT TO MANUFACTURERS TOLERANCE AND CHANGE WITHOUT NOTICE

|      |          |                         |     |         |                  |                      |                              |
|------|----------|-------------------------|-----|---------|------------------|----------------------|------------------------------|
| K    | 5-5-06   | Revised Drawing & Note  | RN  | CL      | WEIGHT<br>POUNDS | VOLUME<br>CUBIC FEET | FIGURE NUMBER<br><b>8560</b> |
| J    | 2-3-05   | Revised Variations      | RN  | CL      |                  |                      |                              |
| H    | 12/03/03 | Added M Column to Table | JJ  | CL      |                  |                      |                              |
| G    | 5-15-98  | Submittal Update        | ASL | BS      |                  |                      |                              |
| REV. | DATE     | DESCRIPTION             | BY  | CKD. BY |                  |                      |                              |