

N



**SMITH® JAY R. SMITH MFG. CO.®**  
 DIVISION OF SMITH INDUSTRIES, INC.  
 POST OFFICE BOX 3237  
 MONTGOMERY, ALABAMA 36109-0237 (USA)  
 TEL: 334-277-8520 FAX: 334-272-7396 www.jrsmith.com



MEMBER OF:

LOCATION

# GREASE INTERCEPTORS WITH RECEIVING CRADLE WITH INTEGRAL DRIP PAN

**FUNCTION:** The all-steel receiving cradle with integral drip pan provides positive support for the interceptor and adjustability for the inlet and outlet connections to meet the drainage piping. The receiving cradle can be set in the slab at the time of the pouring or set in a pre-sleeved opening in the rough slab. The receiver is secured and suspended in the rough slab by its anchoring flange. The interceptor body is lowered into the receiving cradle and adjusted to the connecting drainage piping. Interceptor is readily accessible for cleaning and inspection simply by removing the cover which sits flush with the floor.

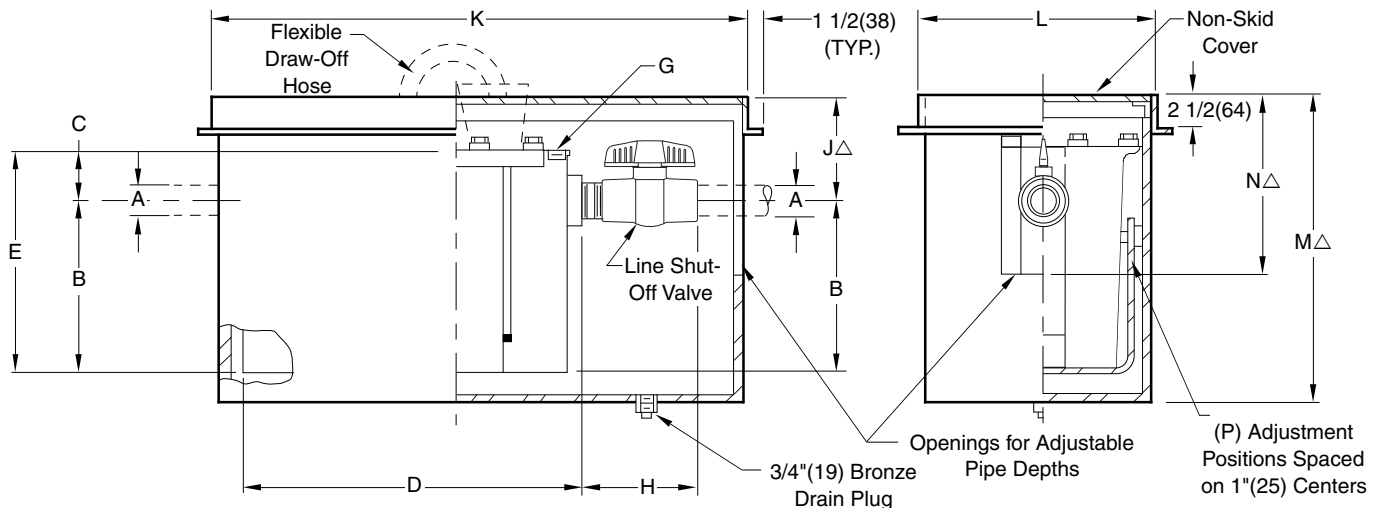


Fig No.	GPM Flow Rate	Grease Cap Lbs.	Inlet and Outlet Size	Dimensions						C.O. PLUG SIZE	Line Shut-off Valve	Cradle Dimensions					
				Roughing Dimensions				Body				JΔ	K	L	MΔ	NΔ	P
				A	B	C	D	Height	Width								
8390-07	7	14	02 (50)	8 1/2 (215)	3 1/2 (89)	19 (485)	12 (305)	10 3/4 (275)	2 (51)	6 3/4 (175)	8 (205)	19 (485)	34 (865)	17 (430)	28 (710)	19 3/8 (492)	12
8390-10	10	20	02 (50)	9 1/2 (240)	3 3/4 (95)	21 1/4 (540)	13 1/4 (335)	13 (330)	2 (51)	6 3/4 (175)	7 (180)	18 (455)	34 (865)	17 (430)	28 (710)	19 3/8 (492)	12
8390-15	15	30	02 (50)	12 (305)	3 1/2 (89)	25 (635)	15 1/2 (395)	14 (355)	2 (51)	6 3/4 (175)	8 1/2 (215)	20 1/2 (520)	43 1/4 (1100)	24 1/8 (613)	33 1/4 (845)	22 7/8 (581)	13
8390-20	20	40	03 (75)	13 (330)	4 (100)	28 1/2 (725)	17 (430)	15 3/4 (400)	2 (51)	10 (255)	7 1/2 (190)	19 1/2 (495)	43 1/4 (1100)	24 1/8 (613)	33 1/4 (845)	22 7/8 (581)	13
8390-25	25	50	03 (75)	15 1/4 (390)	4 1/2 (115)	30 (760)	19 3/4 (500)	16 3/4 (425)	2 (51)	10 (255)	9 1/2 (240)	21 1/2 (545)	46 1/4 (1175)	26 5/8 (670)	37 1/2 (950)	24 3/8 (619)	13
8390-35	35	70	03 (75)	16 (405)	5 (125)	32 1/2 (825)	21 (535)	18 1/4 (465)	2 (51)	10 (255)	8 3/4 (220)	20 3/4 (525)	46 1/4 (1175)	26 5/8 (676)	37 1/2 (950)	24 3/8 (619)	13
8390-50	50	100	03 (75)	17 1/2 (445)	6 3/4 (170)	35 1/2 (900)	24 1/4 (615)	20 3/4 (525)	2 (51)	10 (255)	10 1/4 (260)	19 1/4 (490)	49 5/8 (1260)	26 (660)	40 1/4 (1022)	24 7/8 (632)	14
8390-75	75	150	04 (100)	21 1/2 (545)	15 1/2 (395)	50 (1270)	37 (940)	30 1/2 (775)	3 (76)	12 3/4 (325)	16 (405)	25 (635)	66 3/4 (1695)	37 (940)	47 1/2 (1205)	30 1/4 (770)	15

**REGULARLY FURNISHED:**

Fab. Steel Fully-Enclosed Cradle with Integral Drip Pan with Gray Duco Coating Inside and Outside. Interceptor with Steel Cone, Flexible Draw-off Hose and Cap, Line Shut-off Valve and Flow Control Fitting.

**VARIATIONS:**

- NO-HUB Adaptor (2) Required (Specify Fig. 2646Y)
- ΔCradle Cover Recessed for Terrazzo, Ceramic or Quarry Tile -QC
- ΔCradle Cover Recessed for Vinyl or Asphalt Tile -TC

**OPTIONAL MATERIALS:**

- Acid Resistant Coating Inside\*\* -ARI
- Acid Resistant Coating Outside\*\* -ARO▲
- Acid Resistant Coating Inside and Outside\*\* -ARIO▲
- Acid Resistant Coated Cradle -ARC
- Aluminum Cover for Cradle -ACC
- Aluminum Cover for Interceptor -AC

\*\*Interceptor Only

▲When ARO or ARIO is specified, ARC must also be specified.

ΔWhen tile top is specified, add 1" (25). When terrazzo top is specified, add 1 1/4" (32).

NOTE: Dimensions shown in parentheses are in millimeters.

DRAWING NUMBER  
88390

SIZE  
A

SCALE:  
NONE

DATE:  
3-5-93

APPROVED BY:  
McD

CHECKED BY:  
JD

DRAWN BY:  
VGD

8390

FIGURE NUMBER

REV.	DATE	DESCRIPTION	BY	CKD. BY	WEIGHT POUNDS	VOLUME CUBIC FEET	FIGURE NUMBER
	01/05/10 9/30/03	Added Variations & Note Revised Table	JJ RN	CL CL			<b>8390</b>

WE CAN ASSUME NO RESPONSIBILITY FOR USE OF SUPERSEDED OR VOID DATA

DIMENSIONS ARE SUBJECT TO MANUFACTURERS TOLERANCE AND CHANGE WITHOUT NOTICE